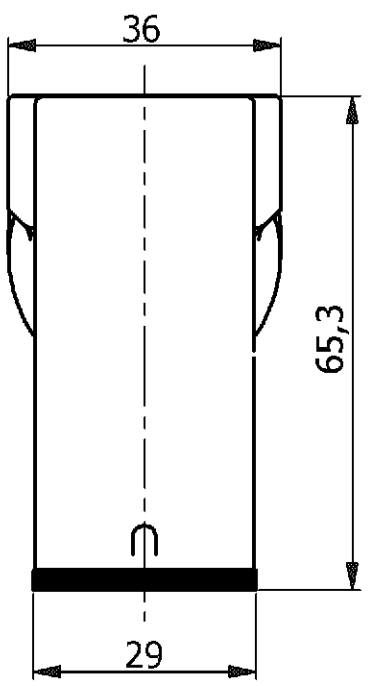
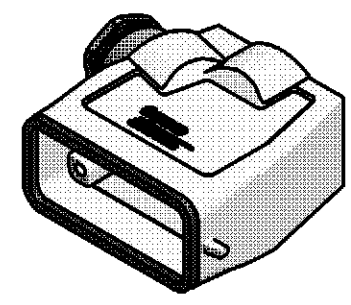


PN:1-7 as shown

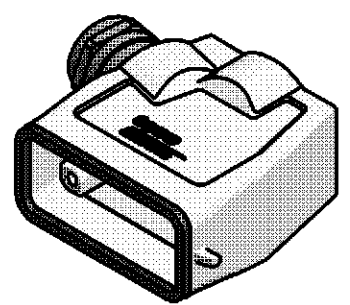


NOTES

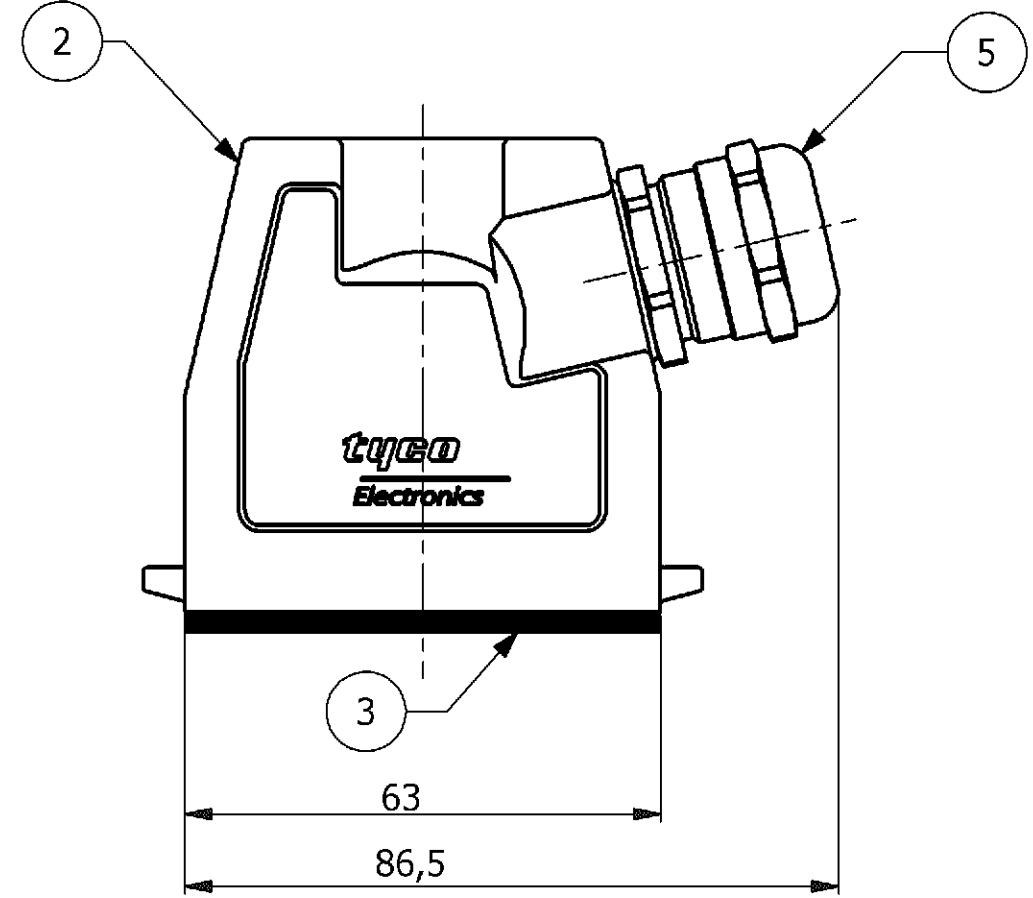
- 1 PACKAGING QUANTITY: 5 PIECES PER BOX
- 2 MATERIAL: HOUSING: ALUMINIUM DIE CAST ALLOY
SEALS: NEPRENE
- 3 SURFACE: VARNISH GREY
ALUMINIUM OXIDE +
VARNISH BLACK
- 4 VARNISH ON THE INSIDE NOT NECESSARY



PN:1-7
Ordering Text:
HD.15.STS.1.16



PN:2-7
Ordering Text:
HD-K.15.STS.1.16



PN:2-7 as shown

1	-	DESCRIPTION	MATERIAL	SURFACE	COLOR	ITEM NO.	REMARKS
1	-	Gland Fitting	Brass	Nickel Plated	Blue	5	PG 16
-	1	Cable Fitting Round	Brass	Nickel Plated	Blue	4	PG 16
1	1	Profile Seal	Neoprene	-	Black	3	-
1	-	Hood	Aluminium	Aluminium oxide	Black	2	-
-	1	Hood	Aluminium	-	Grey	1	-

THIS DRAWING IS A CONTROLLED DOCUMENT FOR AMP INCORPORATED. IT IS SUBJECT TO CHANGE AND THE CONTROLLING ENGINEERING ORGANIZATION SHOULD BE CONTACTED FOR THE LATEST REVISION. DIESSES ZEICHNUNGSDOKUMENT WIRD DURCH AMP INCORPORATED KONTROLLIERT. AENDERUNGEN, DIE DEM TECHNISCHEM FORTSCHRITT DIENEN, SIND VORBEHALTEN. DEN JEWELIGS LETZTIGELTIGEN AENDERUNGSSTAND ERFAHREN SIE AUF ANFRAGE.		DWN	5/3/2006		tyco Electronics		Tyco / Electronics AMP GmbH D - 53819 Neunkirchen, Germany	
DIMENSIONS: DIMENSIONEN: mm		CHK	5/3/2006					
		TOLERANCES UNLESS OTHERWISE SPECIFIED: ALLGEMEINTOLERANZEN		NAME		HOOD HD.15.STS.1.16		
		n. ISO 8015 - n. ISO 2768 - mH-E n. DIN 16901- 140		PRODUCT SPEC. PRODUKTSPEZ.				
		MATERIAL		APPLICATION SPEC. VERARBEITUNGSSPEZ.		RESTRICTED TO NUR FUER		
		FINISH / OBERFLAECHE / FARBE		WEIGHT GEWICHT		DRAWING NO ZEICHNUNGS-NR.		
2		3		114-74004		1102425		
CUSTOMER DRAWING / KUNDENZEICHNUNG				SCALE MASSSTAB	1:1	SHEET BLATT	1 OF VON 1	REV. B1