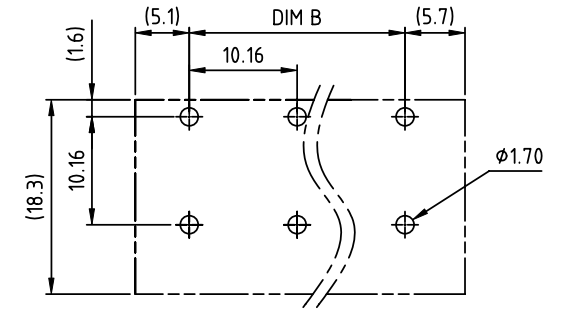
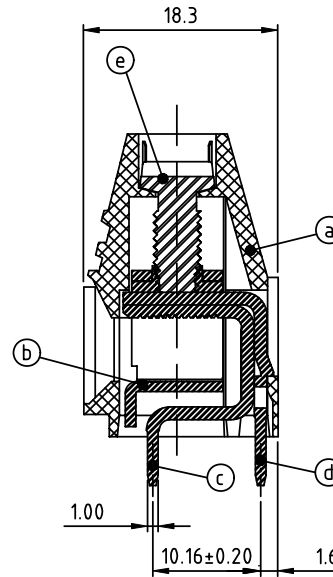
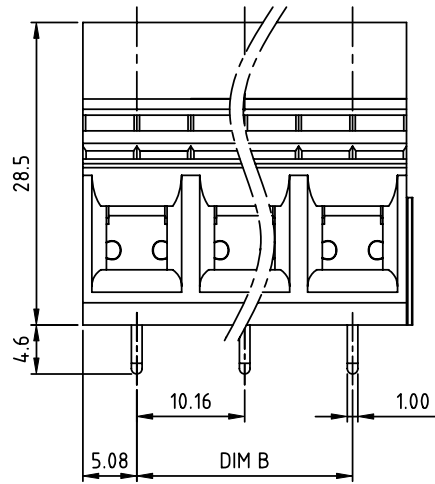
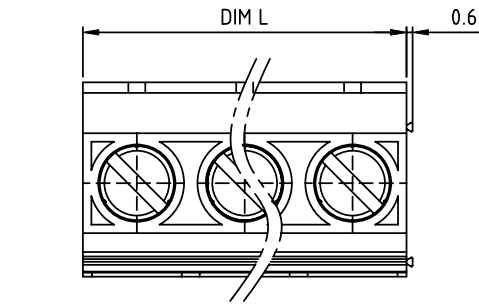


PRODUCT NUMBER	PITCH
VPxx65x4.00J0G	10.16 mm



RECOMMENDED P.C.B LAYOUT
TOP VIEW

Material:

- Item Terminal housing : Thermoplastic (UL 94V-0)
- Item Clamp : Steel stamping , Zinc plated
- Item Solder pin1 : Copper, Tin plated
- Item Solder pin2 : Copper, Tin plated
- Item Terminal screw: Steel Zinc plating"- "slot type

Electrical cULus IEC

- Voltage rating : 300V 650V
- Current rating : 65A 57A
- Wire range :
- Solid wire (AWG) : 6-20 / 0.5-16mm²
- Stranded wire (AWG) : 6-20 / 0.5-10mm²
- Torque : 19 Lb-In / 1.2 N.m
- Screw : M4,5
- Wire strip length : 10~11mm
- Withstanding voltage : 1.6KV / 8KV
- Operating temperature : -40°C+115°C
- Soldering temperature : 260°C+5°C/5 Sec
- Safety Approval : cULus

PART NO.: VP xx 6 5 x 4 00J0 G

N = Number of poles
Dim L=N×10.16
Dim B=(N-1)×10.16

Poles	Tolerance
2-4p	±0.15
5-8p	±0.25
9-12p	±0.35

End Stackable	No. of poles	Body Color	RoHS compliant (lead<4%) In copper Alloy
0	2	Black (RAL9005)	
2	3	Red (RAL3001/D)	
3	4	Orange(RAL2011/P)	
4	5	Yellow(RAL1018/A)	
5	6	Green(RAL6018/T)	
6	8	Blue (RAL5015/A)	
8	9	Grey(RAL7035/D)	
9	12	White(RAL1102)	
C		Green(RAL6018/U)	

mat'l. code		surface ASME Y14.5	tolerance ASME Y14.5	projection	product family TERMINAL BLOCK	
ltr	ecn no	dr	date	 MM	title TERMINAL BLOCK	
tolerances unless otherwise specified					 scale	RISING CLAMP,SINGLE TAIL TYPE sheet 1 of 1 size VPxx65x400J0G A4
angles		X.±0.5				type CUSTOMER Drawing
X'±1"		X.X±0.3				
dr		EVIN ZHONG 041414				
enr		EVIN ZHONG 041414				
chr		HANKE FENG 041414				
appd		SHI JUN 041414				
sheet index	revision sheet	A 1				