

4

3

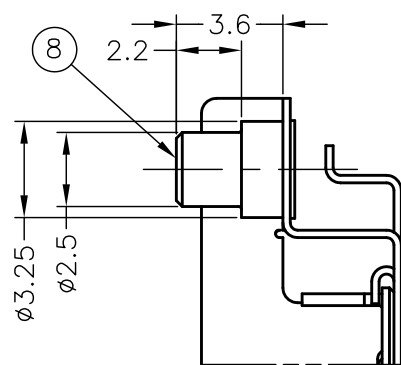
2

1

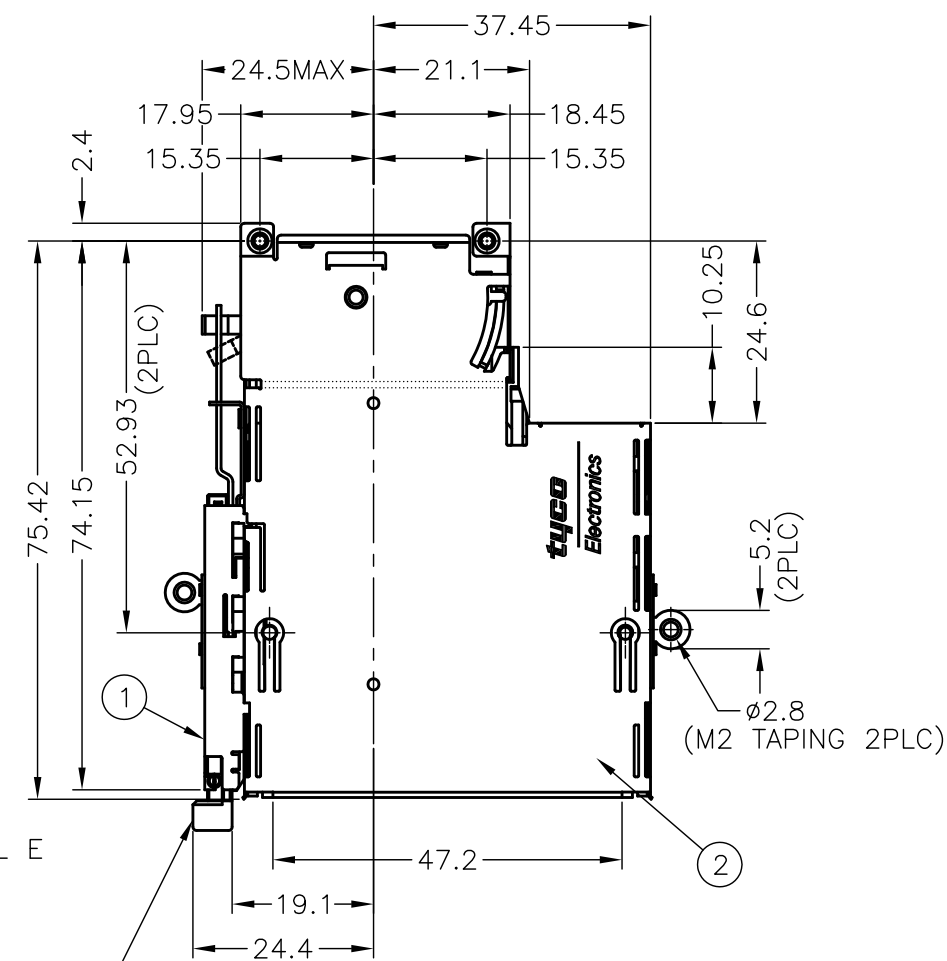
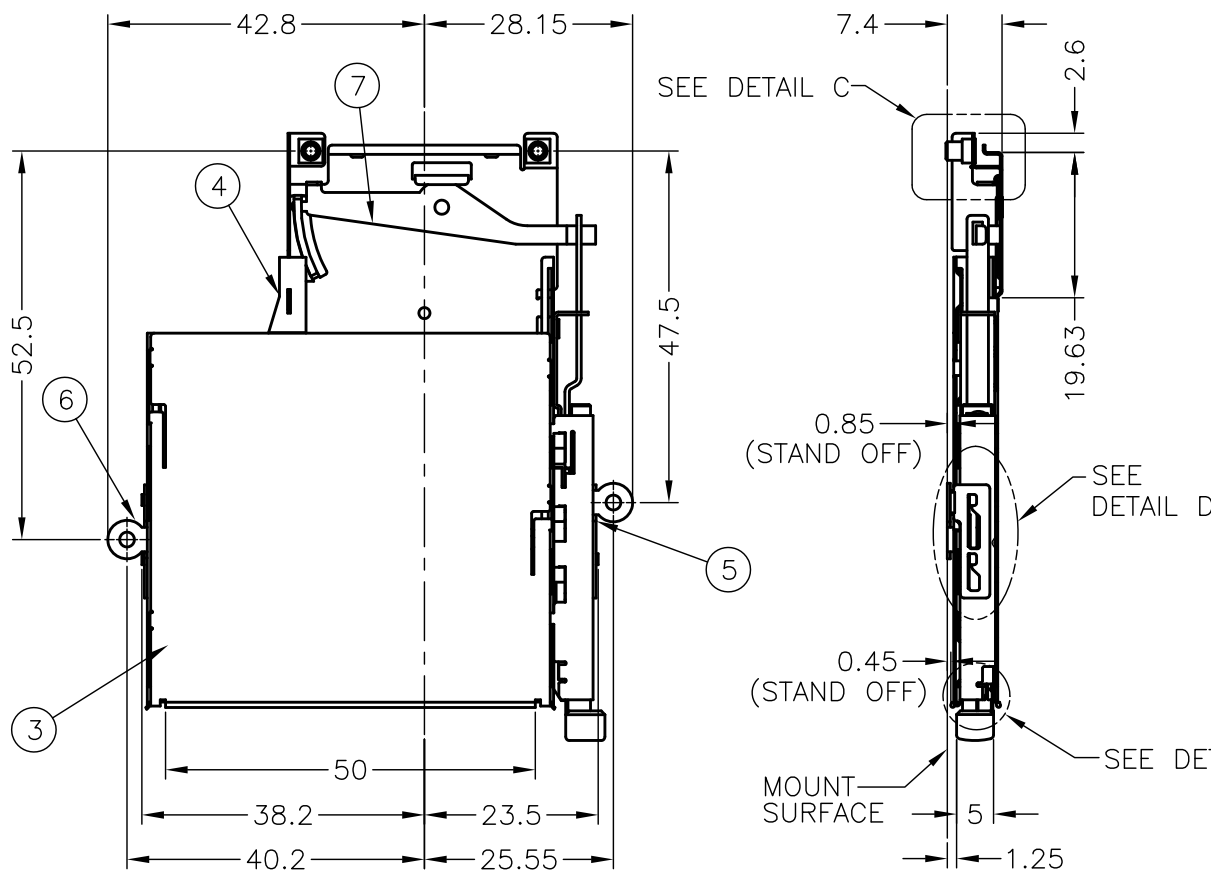
THIS DRAWING IS UNPUBLISHED. RELEASED FOR PUBLICATION
 © COPYRIGHT - By - ALL RIGHTS RESERVED.

LOC	DIST	REVISIONS			
P	LTR	DESCRIPTION	DATE	DWN	APVD
DW		D1	REVISED (ECR-13-008834)	11SEP2013	B.W H.K

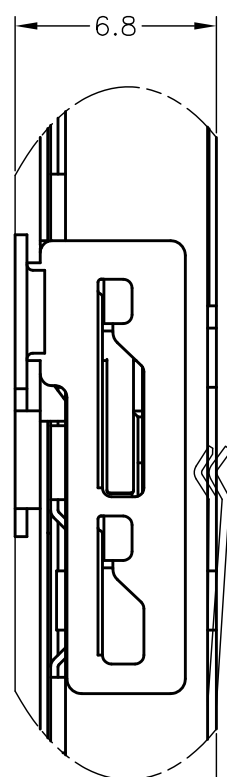
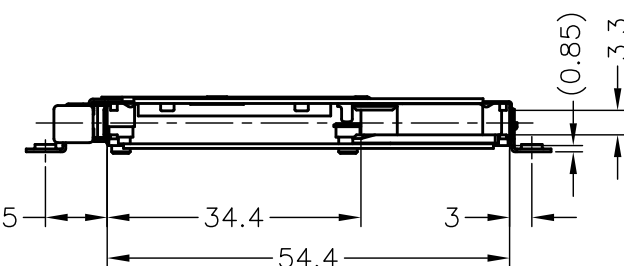
-3 : AS SHOWN



DETAIL C (SCALE 4:1)

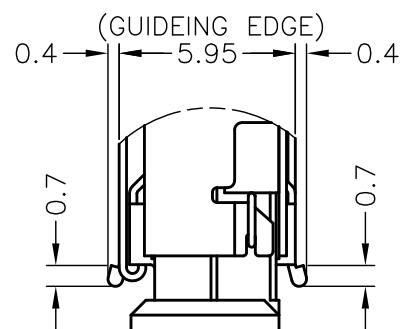


tygo Electronics
 BUTTON COLOR:
 GRAY(1759880-1)
 BLACK(1759880-3)



0.43MAX (AFTER CARD INSERTED)

DETAIL D (SCALE 4:1)



DETAIL E (SCALE 4:1)

THIS DRAWING IS A CONTROLLED DOCUMENT.		DWN	S.WATANABE	15AUG07	 TE Connectivity	NAME	EXPRESS CARD CONNECTOR SHIELD FRAME ASSEMBLY, TOP MOUNT					
DIMENSIONS: mm		CHK	J.CHIANG	15AUG07			PRODUCT SPEC	APPLICATION SPEC	SIZE	CAGE CODE	DRAWING NO	RESTRICTED TO
TOLERANCES UNLESS OTHERWISE SPECIFIED:		APVD	H. KODAMA	15AUG07					0 PLC ± 0.3 1 PLC ± 0.25 2 PLC ± 0.25 3 PLC ± - 4 PLC ± - ANGLES ± 1°	A3	00779	C-1759880
MATERIAL		FINISH		WEIGHT			18GRAM	CUSTOMER DRAWING	SCALE	1:1	SHEET	1 OF 4

4

3

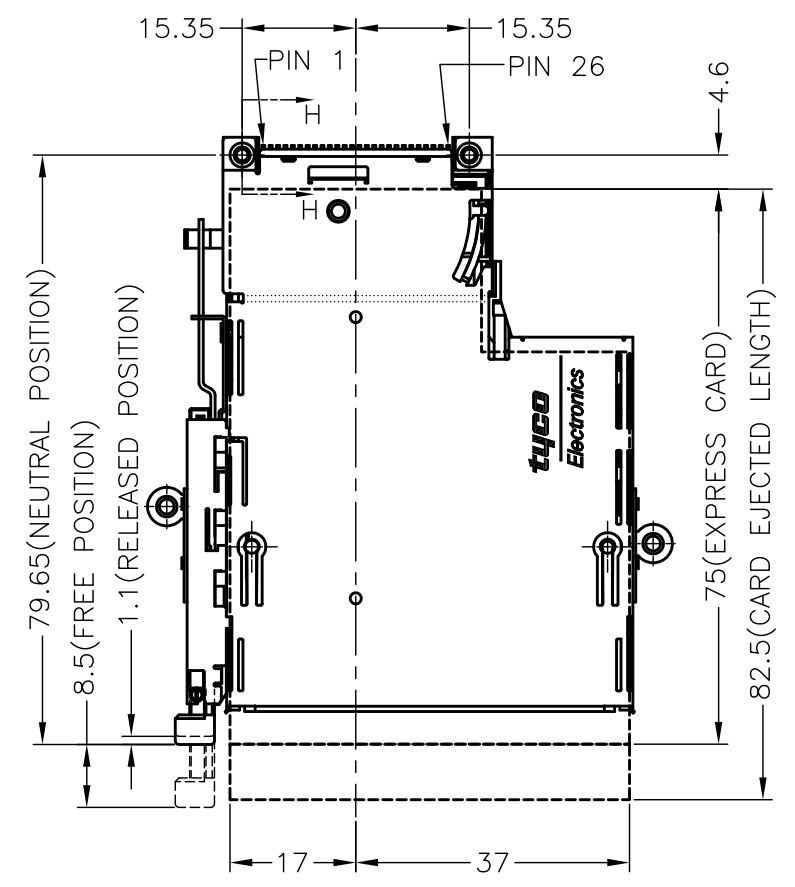
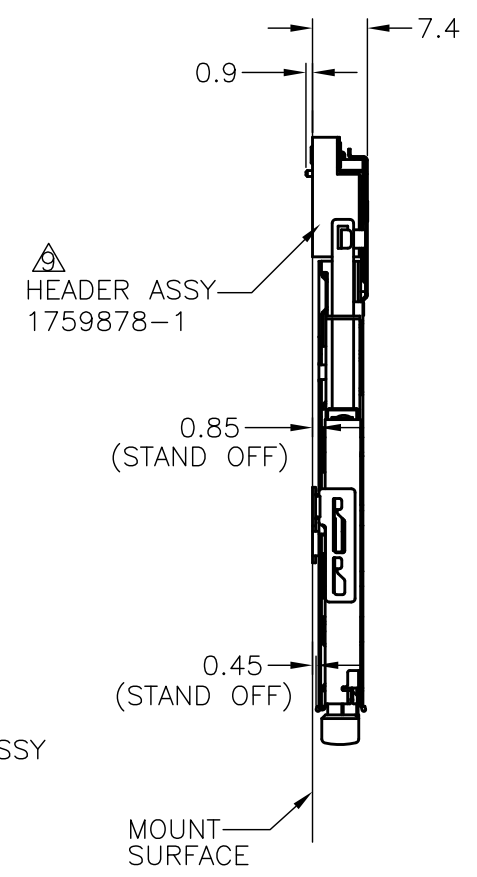
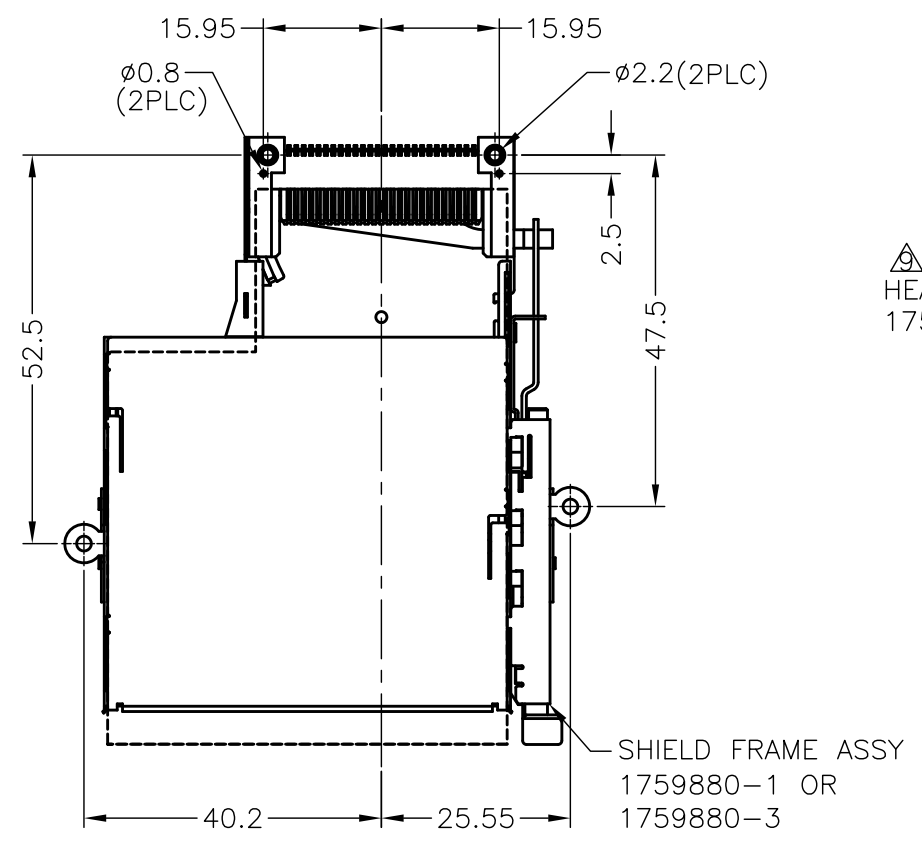
2

1

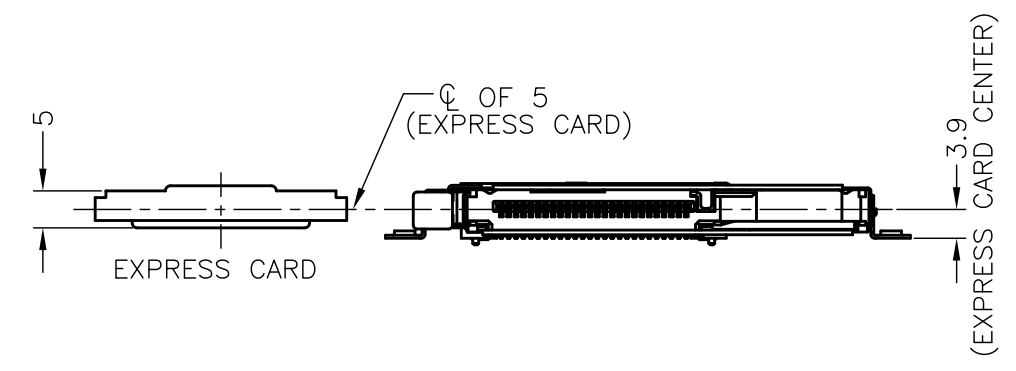
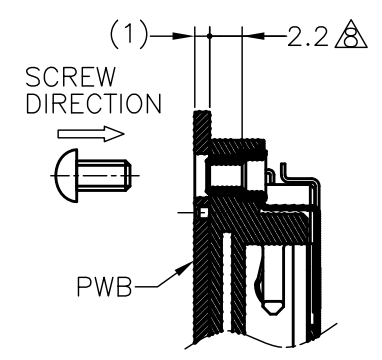
THIS DRAWING IS UNPUBLISHED. RELEASED FOR PUBLICATION
 © COPYRIGHT - By - ALL RIGHTS RESERVED.

LOC	DIST	REVISIONS			
P	LTR	DESCRIPTION	DATE	DWN	APVD
-	-	SEE SHEET 1	-	-	-

-3 : AS SHOWN



REFERENCE FIGURE WHICH ATTACHED HEADER ASSEMBLY

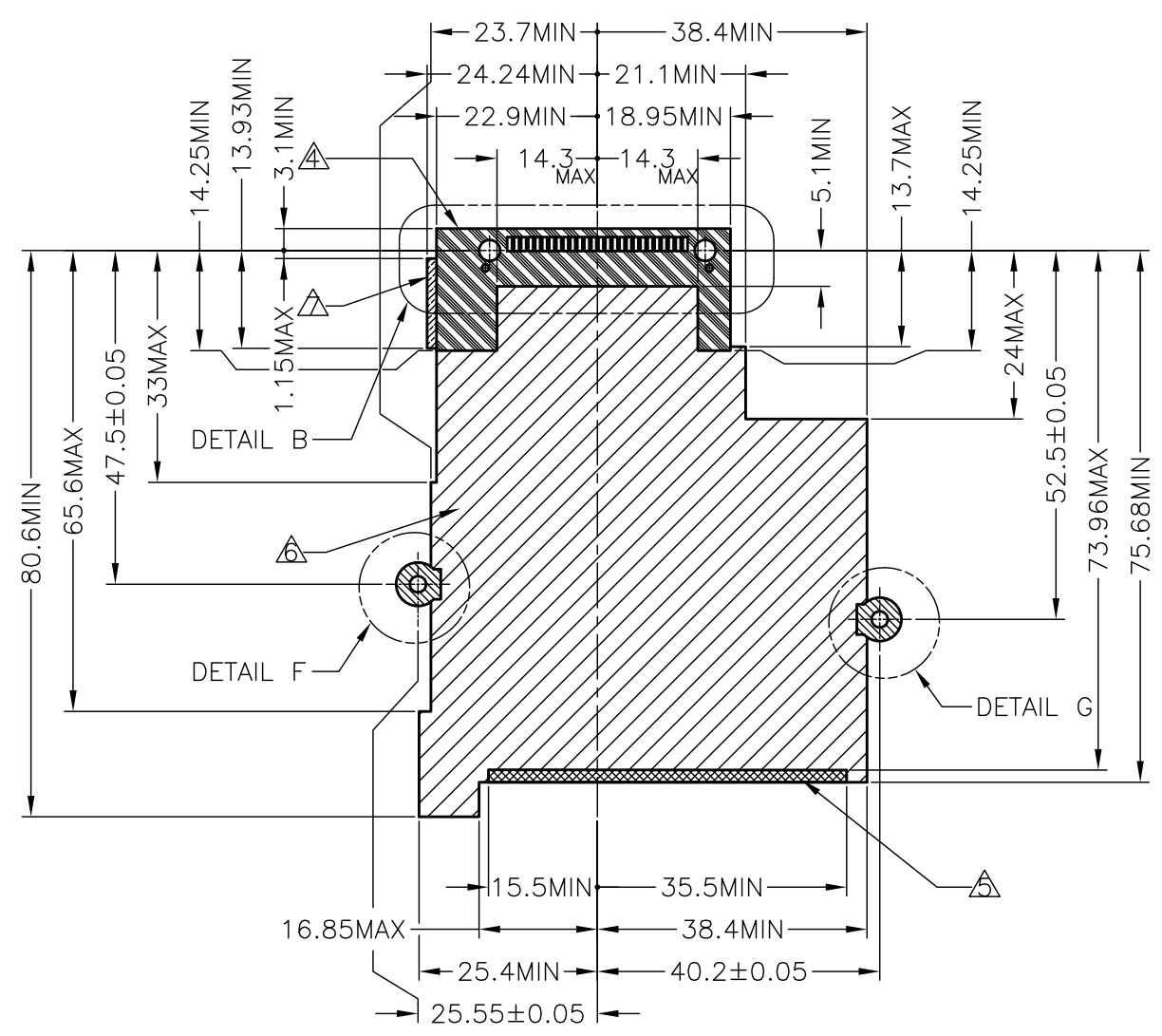


THIS DRAWING IS A CONTROLLED DOCUMENT.		DWN	TE Connectivity			
DIMENSIONS: mm		CHK				
TOLERANCES UNLESS OTHERWISE SPECIFIED:		APVD	NAME			
0 PLC ± 0.3 1 PLC ± 0.25 2 PLC ± 0.25 3 PLC ± - 4 PLC ± - ANGLES ± 1°		PRODUCT SPEC	EXPRESS CARD CONNECTOR SHIELD FRAME ASSEMBLY, TOP MOUNT			
MATERIAL	FINISH	APPLICATION SPEC	SIZE	CAGE CODE	DRAWING NO	RESTRICTED TO
		WEIGHT	A3	00779	1759880	
CUSTOMER DRAWING			SCALE	SHEET	REV	
			1:1	2 OF 4	D1	

THIS DRAWING IS UNPUBLISHED. RELEASED FOR PUBLICATION
 © COPYRIGHT - By - ALL RIGHTS RESERVED.

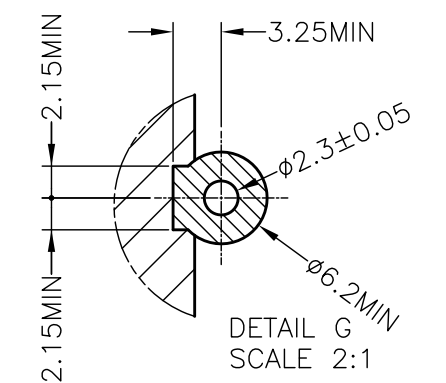
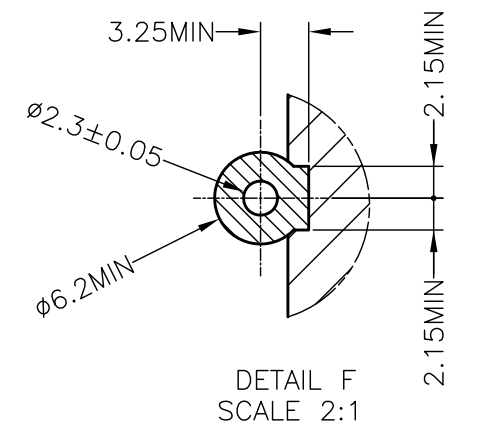
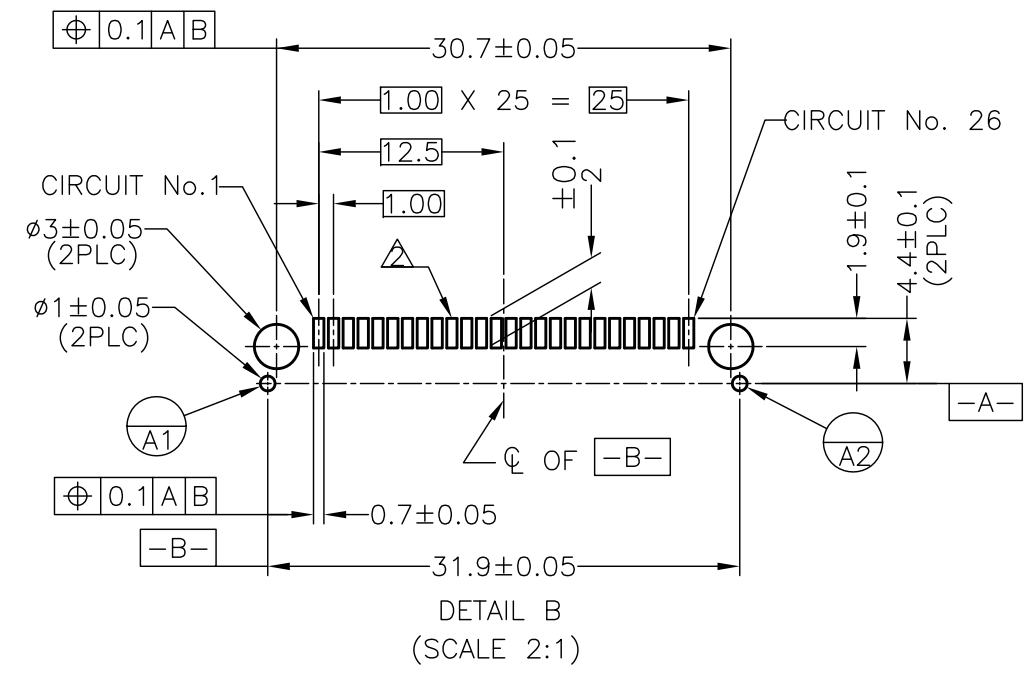
LOC	DIST	REVISIONS			
P	LTR	DESCRIPTION	DATE	DWN	APVD
DW		SEE SHEET 1	-	-	-

-3 : AS SHOWN



RECOMMEND PWB LAYOUT

- NOTES:
- RECOMMENDED TIGHTENING TORQUE 0.15~0.2Nm
 - SOLDERING PAD
 - GROUNDING PAD
 - NO COMPONENT AND NO SIGNAL LINE AREA
 - STAND OFF 0.45mm
 - STAND OFF 0.85mm
 - STAND OFF 3.25mm
 - M2 SCREW LENGTH
 - HEADER ASS'Y, 1759878-1, PURCHASED SEPARATELY



OBSOLETE

ITEM	NAME	MATERIAL	FINISH	1759880-3	1759880-2	1759880-1	Q'TY
⑧	BUSH (M2X0.4 TAP)	STAINLESS STEEL					2
⑦	ARM BAR	STAINLESS STEEL					1
⑥	BRACKET (R) (M2X0.4 TAP)	STAINLESS STEEL					1
⑤	BRACKET (L) (M2X0.4 TAP)	STAINLESS STEEL					1
④	GUIDE RAIL HSG	THERMOPLASTIC (UL94 V-0)	BLACK	BLACK	BLACK		1
③	LOWER SHELL	STAINLESS STEEL					1
②	UPPER SHELL	STAINLESS STEEL					1
①	PUSH PUSH ASSY	STAINLESS STEEL					1
		THERMOPLASTIC (UL94 V-0)	BLACK	GRAY	GRAY		

THIS DRAWING IS A CONTROLLED DOCUMENT.

DIMENSIONS: mm

TOLERANCES UNLESS OTHERWISE SPECIFIED:

0 PLC	± 0.3
1 PLC	± 0.25
2 PLC	± 0.25
3 PLC	± -
4 PLC	± -
ANGLES	± 1°

MATERIAL FINISH

STE TE Connectivity

EXPRESS CARD CONNECTOR SHIELD FRAME ASSEMBLY, TOP MOUNT

SIZE: A3 CAGE CODE: 00779 DRAWING NO: 1759880 RESTRICTED TO: -

CUSTOMER DRAWING SCALE: 1:1 SHEET: 3 OF 4 REV: D1

4

3

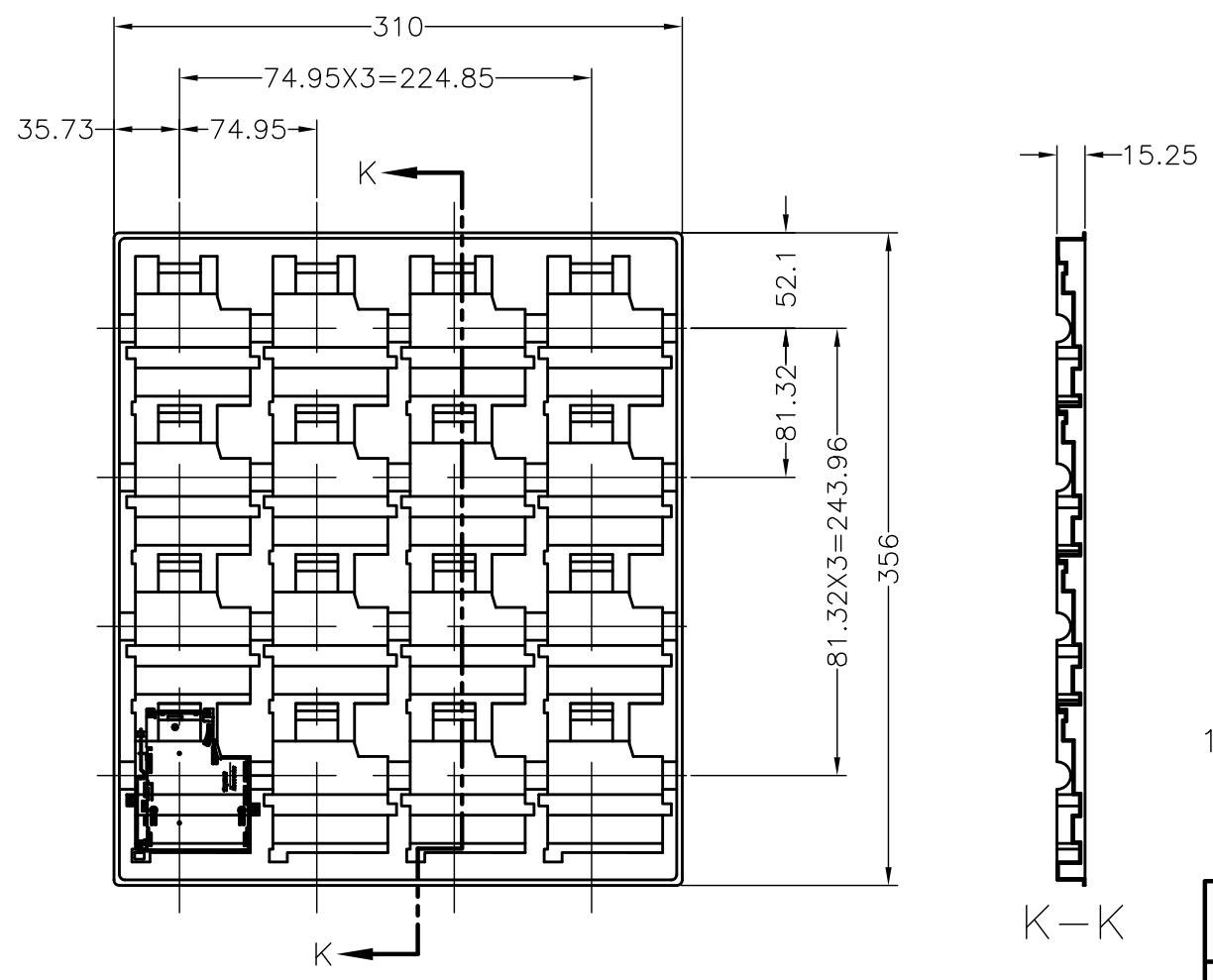
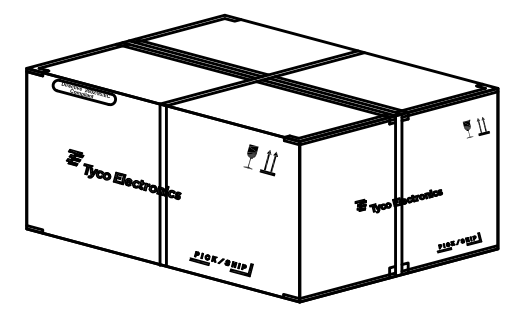
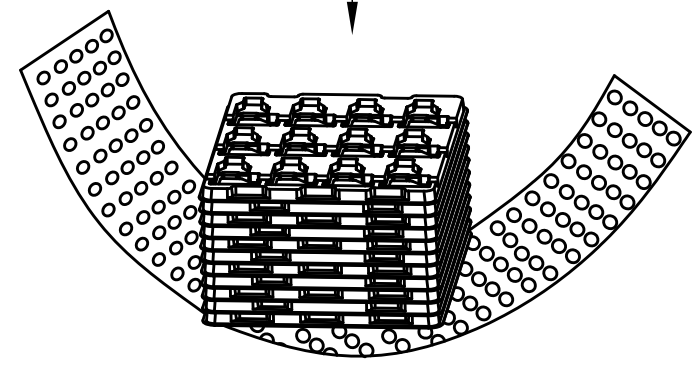
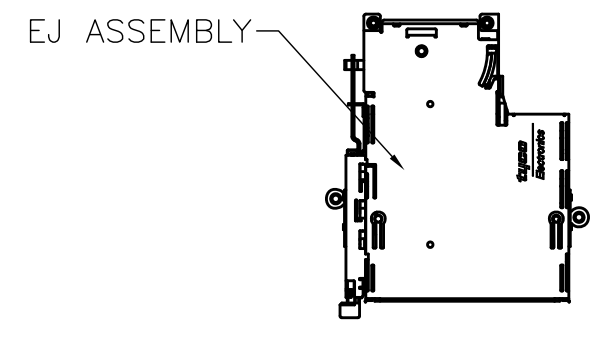
2

1

THIS DRAWING IS UNPUBLISHED. RELEASED FOR PUBLICATION
 © COPYRIGHT - By - ALL RIGHTS RESERVED.

LOC	DIST	REVISIONS				
P	LTR	DESCRIPTION	DATE	DWN	APVD	
DW	/	SEE SHEET 1	-	-	-	

-3 : AS SHOWN



10. PACKING MATERIAL :
 TRAY : PS
 SHIPPING CARTON : CORRUGATED FIBERBOARD

16	10	160
PCS/TRAY	TRAY/CARTON	TOTAL QTY

THIS DRAWING IS A CONTROLLED DOCUMENT.		DWN		TE TE Connectivity	
DIMENSIONS: mm		CHK			
TOLERANCES UNLESS OTHERWISE SPECIFIED:		APVD		NAME	
0 PLC ± 2		PRODUCT SPEC		EXPRESS CARD CONNECTOR	
1 PLC ± 1		APPLICATION SPEC		SHIELD FRAME ASSEMBLY, TOP MOUNT	
2 PLC ± 1		WEIGHT		SIZE	CAGE CODE
3 PLC ± -		CUSTOMER DRAWING		A3	00779
4 PLC ± -		SCALE		DRAWING NO	
ANGLES ± 3'		1:1		C-1759880	
FINISH		SHEET		RESTRICTED TO	
		4 OF 4		-	
		REV		D1	