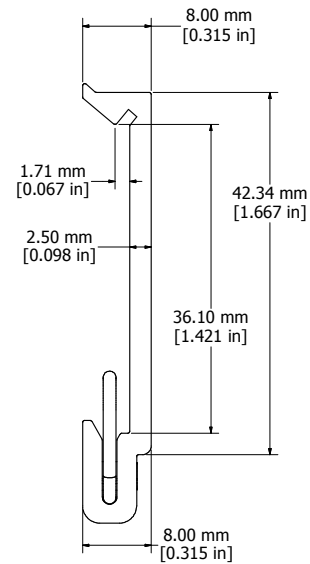
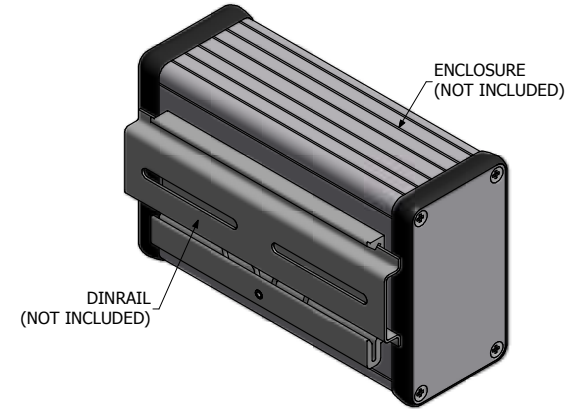


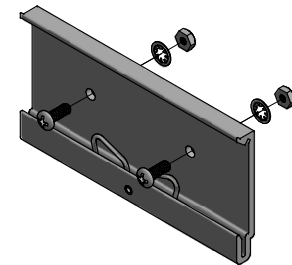
FRONT VIEW



SIDE VIEW



TYPICAL ASSEMBLY



EXPLODED DINCLIP W/ HARDWARE

|  |
|--|
| <b>1427DIN100M</b>                               |
| Material/Finish - Body - Clear Anodized Aluminum |
| - Spring - Galvanized Spring Steel Wire          |
| <b>Hardware</b>                                  |
| 2 Screw - #6-32 x 3/8" Panhead                   |
| 2 Nut - #6-32 Hex Nut                            |
| 2 Washer - #6 Toothed Lockwasher                 |



**HAMMOND  
MANUFACTURING™**

**1427DIN100M**

www.hammondmfg.com