

THIS COPY IS PROVIDED ON A RESTRICTED BASIS AND IS NOT TO BE USED IN ANY WAY DETRIMENTAL TO THE INTERESTS OF PANDUIT CORP.

Material	High Conductivity Seamless Copper Tube
Plating	Electro-Tin
UL Listed Wire Connector	Yes, for applications up to 35kv. Consult cable manufacturer for voltage stress relief instructions with applications greater than 2000 volts.
UL Temperature Rating	90° C
C.S.A Certified Wire Connector	Yes

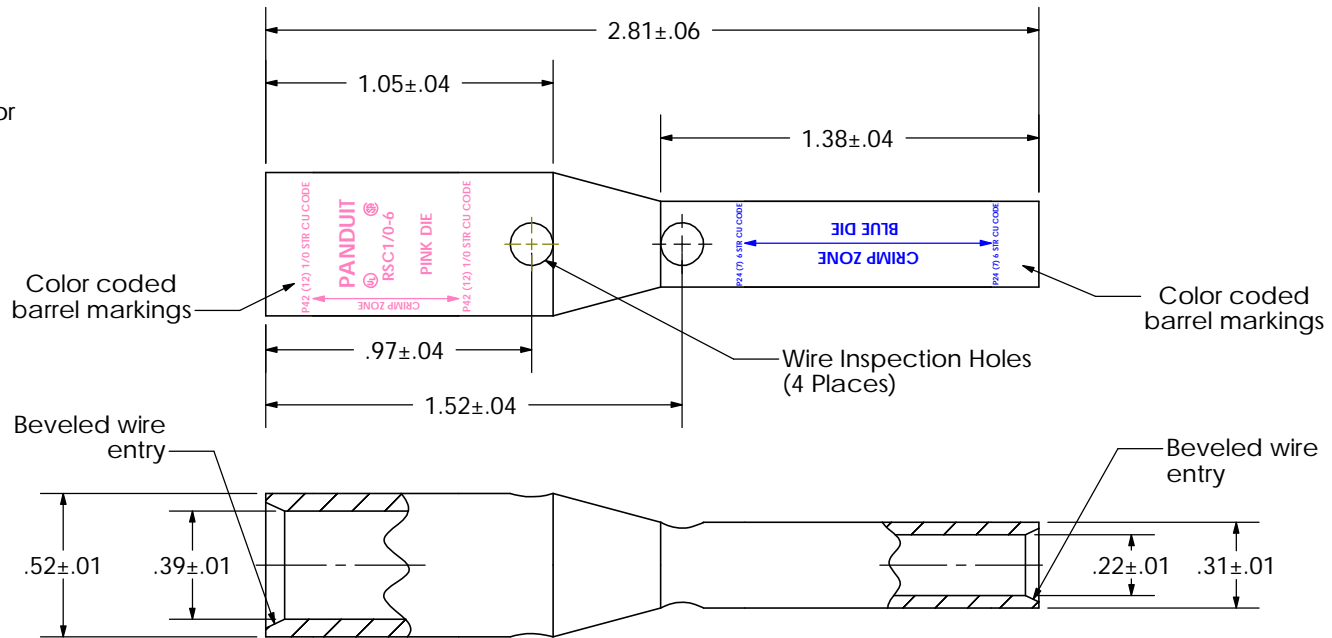
	From	To
Wire Sizes	1/0 AWG	6 AWG
Wire Types	Stranded Copper; Class B: Compact, Compressed or Concentric, Class C: Concentric	Stranded Copper; Class B: Compact, Compressed or Concentric, Class C: Concentric
Wire Strip Lengths	1.0 in.	1-5/16 in.
Panduit Color Code on Barrels	PINK	BLUE
Panduit Die Index No. on Barrels	P42	P24
Alternate Industry Die Index No. () on Barrels	(12)	(7)



CERTIFIED



LISTED Wire Connector



REV	DATE	BY	CHK	DESCRIPTION	ECN
02	2/04	JHNU	CSH	Removed dimension; added note.	11572

PANDUIT CORP. TINLEY PARK, ILLINOIS

RSC1/0-6-X
Copper Reducing Splice With Inspection Holes

SCALE N/A DRAWING NO / CAD FILE RSC1_0-6-CUST