

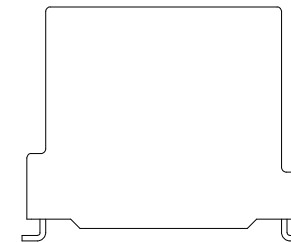
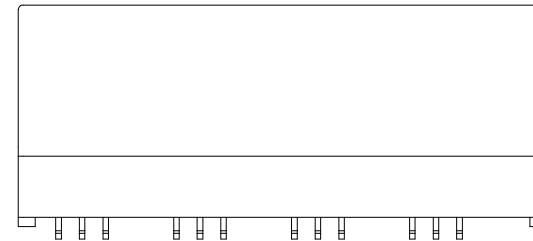
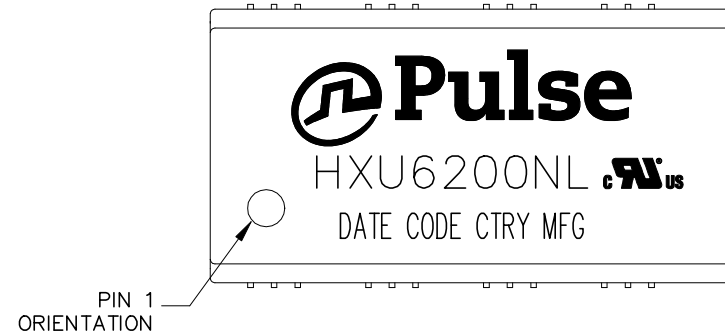


NOTES:

1. ROHS COMPLIANT
2. HEADER: DAP (DIALLYL PHTHALATE) WITH FLAMMABILITY RATING UL 94V-0 OR BETTER.
3. OPERATION TEMPERATURE: -40°C TO +85°C  
STORAGE TEMPERATURE: -50°C TO +125°C
4. COMPLIANCE TO J-STD:
  - A. J-STD-002: SOLDERABILITY AT 245°C REFLOW PROFILE
  - B. J-STD-020: LEVEL 1, NO MOISTURE SENSITIVE
  - C. J-STD-075: R7, 245°C MAXIMUM THROUGH REFLOW SOLDER
5. TO ORDER TAPE & REEL PACKAGING ADD A "T" SUFFIX TO THE PART NUMBER(i.e HXU6200NL BECOMES HXU6200NLT).

4mm CREEPAGE AND 2.5mm AIR CLEARANCE.

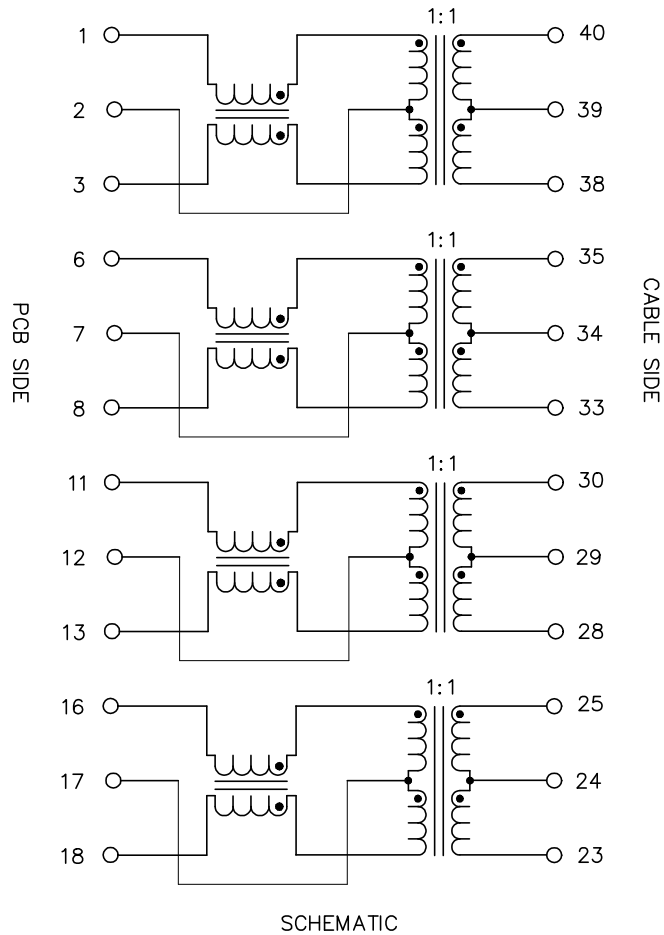
6. UL60601 CERTIFIED.



FINAL OUTLINE

© Copyright, 2018. Pulse Electronics Corp. All rights reserved. Pulse confidential & proprietary. (07/06/18)

PRODUCT DESCRIPTION	TLA DRAWING	PS DRAWING	SHEET	PART NO.	DATASHEET REV.
MDL,SIN,1GPP,1:1,SM,TU	HXU6200NL-11	PS-01096.001-A	1 OF 3	HXU6200NL	H

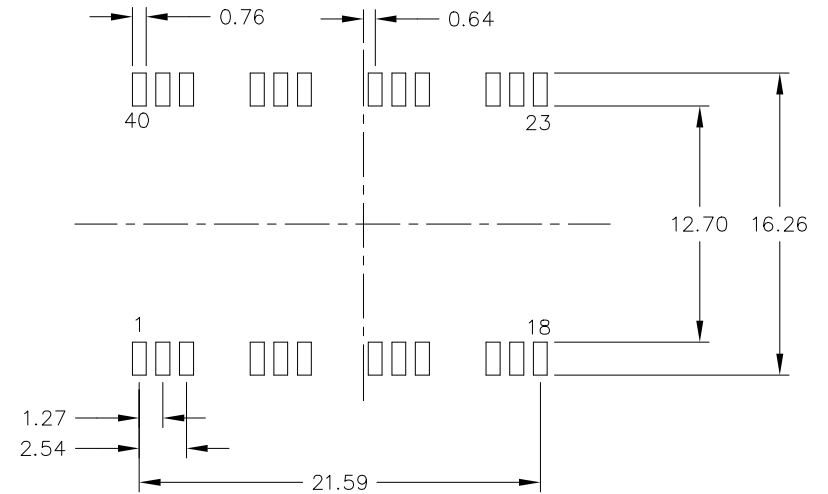
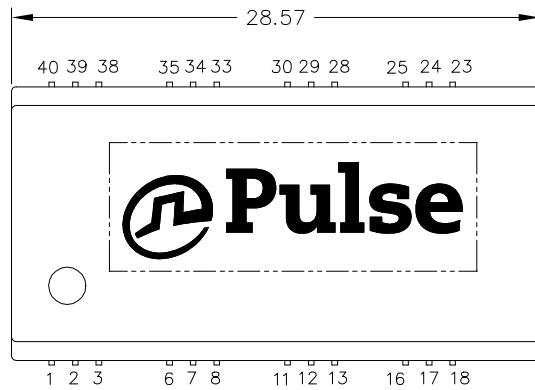


ELECTRICAL CHARACTERISTICS AT +25°C UNLESS OTHERWISE SPECIFIED  
(FOR REFERENCE ONLY. USED FOR CUSTOMER INFORMATION.)

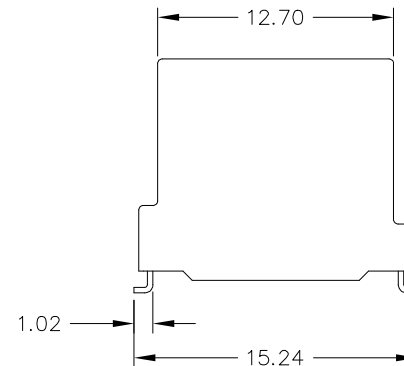
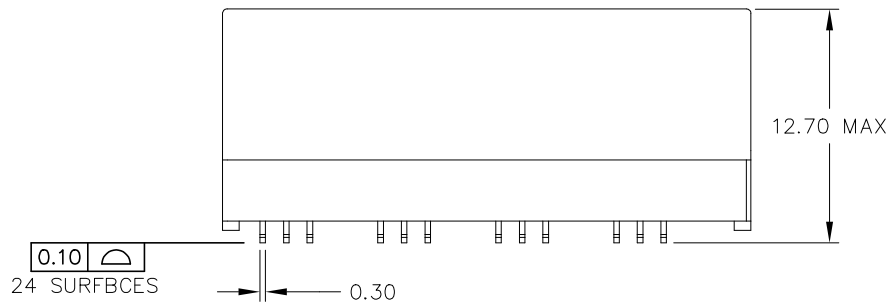
PARAMETER	SPECIFICATIONS					
URNS RATIO	1 : 1 ±2%					
POLARITY	PER SCHEMATIC					
OCL, TRANSMIT CHANNEL	350 uH MIN. AT 100KHz, 0.1VRMS WITH 8mA DC BIAS					
INSERTION LOSS	0.1–30 MHz	60 MHz	80 MHz	100 MHz		
	-0.6 dB MAX	-1.1 dB MAX	-1.6 dB MAX	-2.5 dB MAX		
RETURN LOSS (Z OUT = 100 OHM ±15%)	5 MHz	30 MHz	50 MHz	60 MHz	80 MHz	100 MHz
	-18 dB MIN	-11 dB MIN	-8 dB MIN	-7 dB MIN	-4 dB MIN	-3 dB MIN
CROSSTALK (TX–RX)	1 MHz	30 MHz	60 MHz	100 MHz		
	-45 dB MIN	-30 dB MIN	-27 dB MIN	-25 dB MIN		
DIFFERENTIAL TO COMMON MODE REJECTION	30 MHz	60 MHz	100 MHz	200 MHz		
	-36 dB MIN	-32 dB MIN	-30 dB MIN	-25 dB MIN		
DC CORRENT/ VOLTAGE RATING	TOTAL 700 mA MAX @ 57 V (CONTINUOUS) 350 mA MAX/PAIR @ 57 V (CONTINUOUS)					
INPUT – OUTPUT ISOLATION	3000 VRMS FOR 1 MINUTE					

© Copyright, 2018. Pulse Electronics Corp. All rights reserved. Pulse confidential & proprietary. (07/06/18)

PRODUCT DESCRIPTION	TLA DRAWING	PS DRAWING	SHEET	PART NO.	DATASHEET REV.
MDL,SIN,1GPP,1:1,SM,TU	HXU6200NL-11	PS-01096.001-A	2 OF 3	HXU6200NL	H



SUGGESTED PAD LAYOUT



DIMENSIONS ARE IN MM WITH THE FOLLOWING  
TOLERANCES:  
X.X= ±0.25  
X.XX= ±0.15

© Copyright, 2018. Pulse Electronics Corp. All rights reserved. Pulse confidential & proprietary. (07/06/18)

PRODUCT DESCRIPTION	TLA DRAWING	PS DRAWING	SHEET	PART NO.	DATASHEET REV.
MDL,SIN,1GPP,1:1,SM,TU	HXU6200NL-11	PS-01096.001-A	3 OF 3	HXU6200NL	H