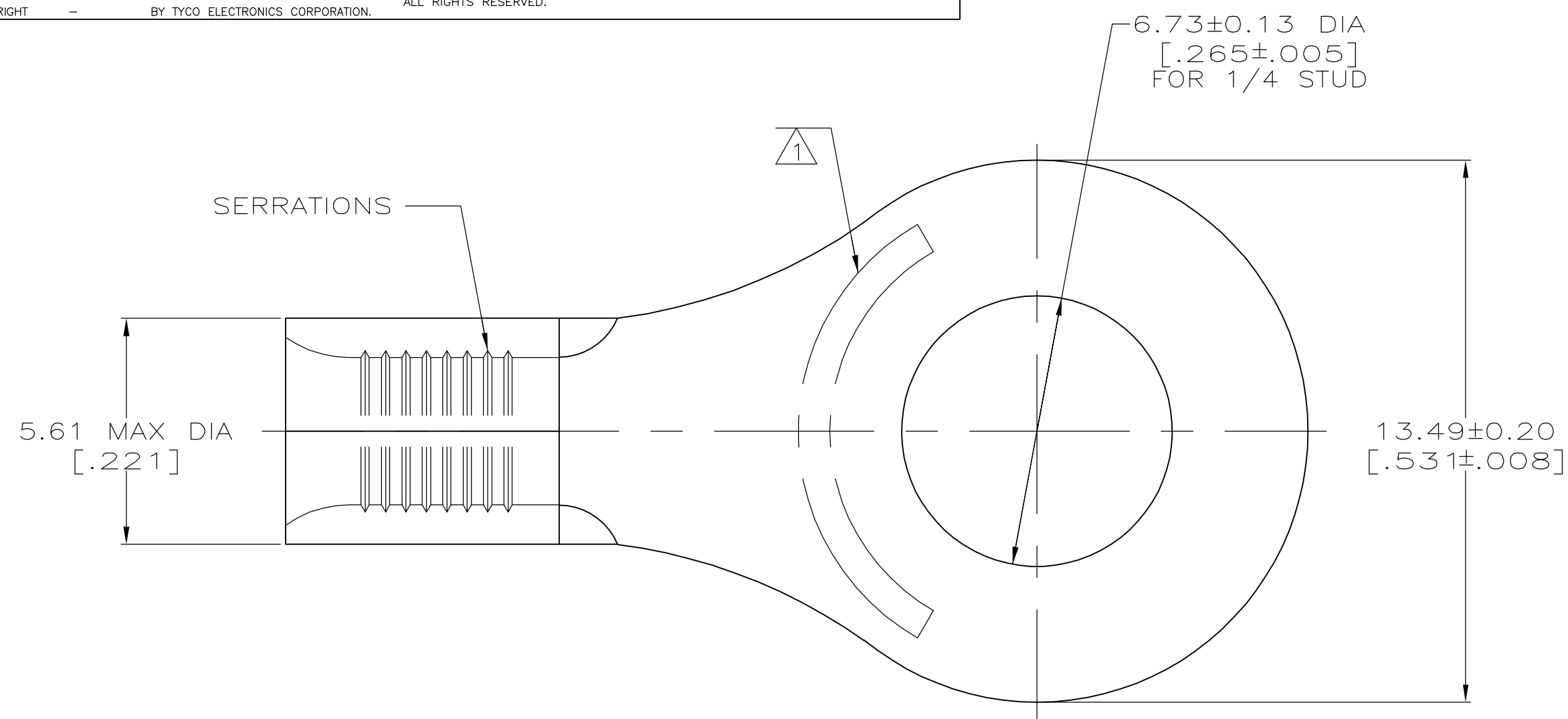
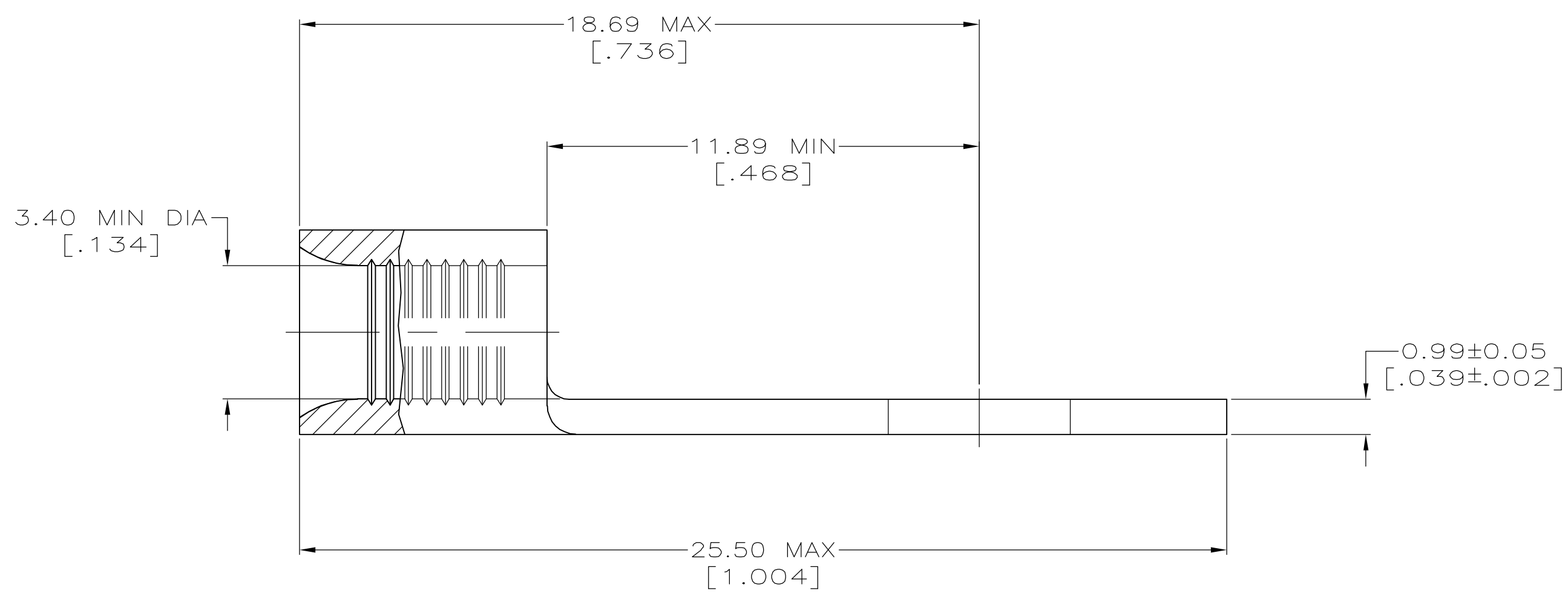


THIS DRAWING IS UNPUBLISHED. RELEASED FOR PUBLICATION
 © COPYRIGHT BY TYCO ELECTRONICS CORPORATION. ALL RIGHTS RESERVED.

LOC	DIST	REVISIONS					
G	14	P	LTR	DESCRIPTION	DATE	DWN	APVD
		E1		REV PER ECR 06-005716 & 005726	15MAR06	JR	MS



- ① STAMP AMP 12-10* APPROX AS SHOWN
- ② COPPER PER ASTM B-152, ANNEALED
- ③ 0.00254 [.000100] MIN TIN PER ASTM B-545
- 4 MAX OPERATING TEMP 170°C MAX
- 5 WIRE CROSS SECTION AREA RANGE: 2.62-6.64mm² [5,180-13,100] CIR MILS



AMP WIRE RANGE	Listed FILE E13288	LR7189 Certified
12-10 AWG STRANDED	12-10 AWG STRANDED	NOT CERTIFIED

50	LOOSE PIECE, BOX	8-31122-2
2,500	TAPE MOUNTED, REEL	3-31122-7
-	LOOSE PIECE	31122
QTY	PACKAGE TYPE	PART NO.

THIS DRAWING IS A CONTROLLED DOCUMENT.		DWN TA BRINKMAN 2-9-93	tyco Electronics		Tyco Electronics Corporation Harrisburg, PA 17105-3608	
DIMENSIONS: INCHES		CHK DA PATTERSON 2-9-93	NAME JL MECKLEY			
TOLERANCES UNLESS OTHERWISE SPECIFIED:		APVD JL MECKLEY 2-9-93	PRODUCT SPEC			
0 PLC ± -		APPLICATION SPEC				
1 PLC ± -		WEIGHT				
2 PLC ± -		SIZE A2				
3 PLC ± -		CAGE CODE 00779				
4 PLC ± -		DRAWING NO 31122				
ANGLES ± -		RESTRICTED TO				
FINISH		SCALE 8:1				
MATERIAL		SHEET 1 of 1				
②		REV E1				
③		CUSTOMER DRAWING				

31122