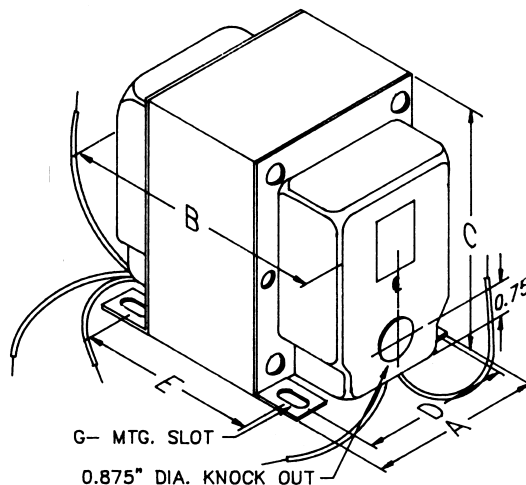


Single Ended Audiophile - Tube Output



SINGLE-ENDED "CLASSIC" TUBE TYPE - ULTRA-LINEAR OUTPUT TRANSFORMERS

- Over designed for single ended tube output circuits (triode, tetrode or pentode tubes).
- Enclosed (shielded), 4 slot, above chassis Type "X" mounting.
- Frequency response at least 20 Hz. to 20 KHz. at full rated power (+/- 1 db max. ref. 1 KHz.)
- Insulated flexible leads 8" min.
- 25 watt units include a 40% screen tap for Ultra-Linear operation (if desired). 75 watt unit does not include screen taps.
- High quality laminations, (M6) grain oriented silicon steel
- 75 watt model secondary, has easy hook-up taps rather than multiple winding connections.



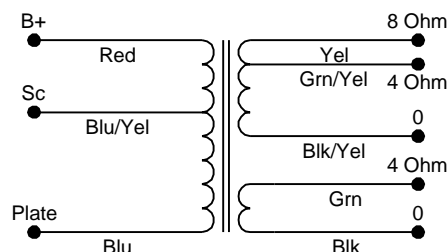
Dimension Table

Cat. No.	A	B	C	D	E	G (slot)
X15	3.75	5.00	4.56	3.00	3.81	.203 x .38
X20	4.38	7.50	5.25	3.50	5.88	.203 x .38

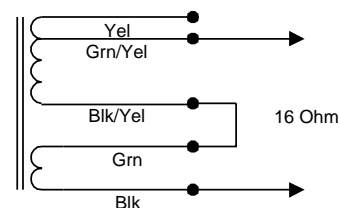
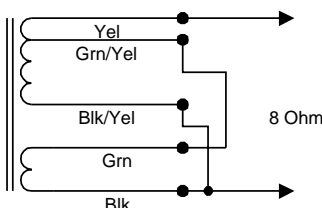
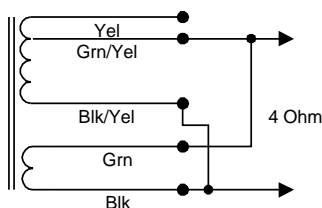
Specifications

Cat. No.	Audio Watts	Primary Impedance	Max. DC Bias	Secondary Impedance	Wt. Lbs.	Dim. Ref.
1627SE	25	2,500	160 ma.	4-8-16	11	X15
1628SE	25	5,000	120 ma.	4-8-16	11	X15
1629SE	25	6,500	100 ma.	4-8-16	11	X15
1640SE	25	1,250	200 ma.	4-8-16	11	X15
1642SE	75	5,000	300 ma.	4-8-16	28	X20

25 Watt Models - Transformer Schematic



25 Watt Models - Secondary Connections



Suggested Tube Types

Cat. No.	Triodes	Pentodes
1627SE	2A3, 6A3, 6B4G, 300B	6CA7, 6L6, 807, 5881, 6550, Parallel - 6AQ5, 6V6, EL84
1628SE	SV572-3, SV572-10, SV811-3, 211, 300B	6AQ5, 6V6, 6L6, 807, 5881, 6550, EL84
1629SE	SV572-30, SV572-160, SV811-10, 811A, 572B	-
1640SE	Parallel - SV811-3, 2A3, 6A3, 6B4G, 300B	Parallel - 6550, 6CA7
1642SE	SV-572-3, SV572-10, SV-572-30, SV-572-160, 845	-

Audio