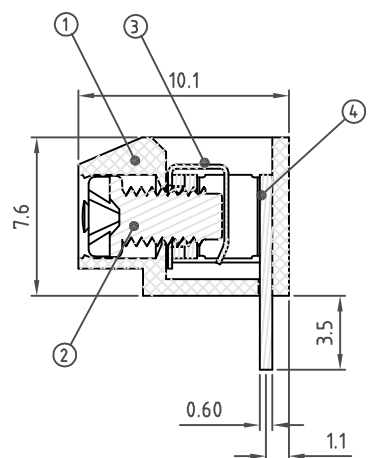
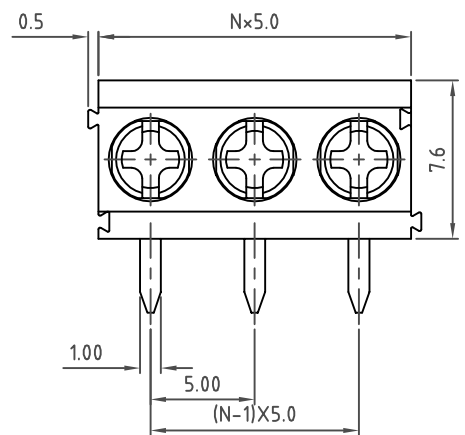
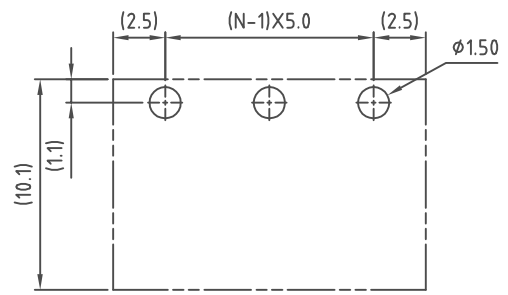


SIGN	DATE	DESCRIPTION	APPROVER
△			
THIS IS CAD DRAWING, DO NOT REVISE MANUALLY!!!			



N=Number of poles



P.C.B. LAYOUT

Materials

- | | |
|------------------------|--------------------------------------|
| Item 1 insulating body | Thermoplastic (UL94V-0) |
| Item 2 Steel screw | Screw, Zinc plating("+/-" slot type) |
| Item 3 Wire guard | Stainless steel |
| Item 4 Terminal body | Brass Tin plated |

Electrical

- Voltage rating: 300VAC
- Current rating: 8A
- Wire range:
 - Solid wire(AWG): 14-26
 - Stranded wire(AWG): 14-26
- Torque(Lb-In): 2.6
- Screw: M2.5
- Wire strip length: 5-6mm
- Withstanding Voltage: 1.6KV
- Operating temperature: -30°C to +105°C
- Soldering temperature: 250°C±10°C/5 Sec

RoHS Compliant

PART NUMBER:

OSTT3XX0453

- | | |
|--------------|---------------------|
| No. of Poles | COLOR |
| 02: 2 Poles | 0: Black |
| 03: 3 Poles | 5: Green (Standard) |
| ... | 6: Blue |
| 24: 24 Poles | 8: Grey |

THESE DRAWINGS AND SPECIFICATIONS ARE THE PROPERTY OF ON-SHORE TECHNOLOGY, INC. AND SHALL NOT BE REPRODUCED, COPIED OR USED IN ANY MANNER WITHOUT THE PRIOR WRITTEN CONSENT OF ON-SHORE TECHNOLOGY, INC.



TITLE		OSTT3 5.0 Series 90°			
PART NO.	OSTT3XX0453	DWG NO.	OSTT3XX0453.DWG		
APPROVED	CHECKED	DESIGNED	DRAWN	CUST NO.	Tolerance
		熊海燾	熊海燾		X. ±0.50
		11/08 06	11/08 06		X.X ±0.30
					X.XX ±0.10
					X° ±1°
				SHEET: 01/01	UNIT: mm
					SCALE: NONE
					REV: B