

GlobTek, Inc. www.globtek.com 186 Veterans Drive, Northvale, NJ 07647 Tel. (201) 784-1000 Fax (201) 784-0111	Drawing Title: GTM91128LI3CEL, ITE / Medical Power Supply, Efficiency Level: N/A, Case Color/Style: GlobTek Black, Wall Plug-in+Desktop Combination, Li-Ion Battery Charger, Input Rating: 100-240V~, 50-60 Hz, IEC 60320/C8 w/ Wall Blades Option , Output Rating: 12.6W, 12.6V@1A, Output Configuration: 1830 mm, 18/1C + Shield Cond, UL 1185, 2 Pin DC Jack, Ferrite: Core Size: 14.2*28.5*8.2, GlobTek Black, GT Cord # C0780, Pin Out: Pin2: (-)/Pin1: (+), Blades/Input Cord: (Order Separately), Approvals: SIQ SIQ SIQ SIQ China RoHS CE RoHS China RoHS WEEE PSE Ukraine GOST-R Double Insulation cRUus ETL CB VCCI IP54	
	Model No. GTM91128LI3CEL	
	Part No./Ordering No. GTM91128LI3C1000XFX9	Rev

REVISION HISTORY

REV	DESCRIPTION	SUB	DATE	APPROVED
-----	-------------	-----	------	----------

In Addition to GlobTek Inc.'s renewed ISO9001:2008 - Quality Management System Certification, GlobTek Inc. is now certified to:

- ISO13485:2003 - Medical Devices Quality Management System Certification
- ISO14001:2004 - Environmental Management System Certification

ISO Certificates are available online at <http://www.globtek.com/iso-certificates/>

Customer Approval of Specification:

Please approve, sign and send back to GlobTek so we can complete order processing.

A delay in receipt of this form will delay delivery schedule.

Company Name:

Customer P/N:

Quote Number:

Date:

Authorized Representative Name:

Authorized Representative Signature:

The acceptance of this specification and use of the product described in this document indicates the acceptance and binding of the customer to Globtek terms and conditions, which supersede all other agreements, terms, and conditions (<http://en.globtek.com/terms-and-conditions/>).

Footnote:

GlobTek Inc. will not be liable for the safety and performance of these power supplies if unauthorized access and repair occurs. End user should consult applicable UL, CSA or EN standards for proper installation instruction.

Limitation of Use:

GlobTek product are not authorized for use as mission critical components in life support hazardous environment, nuclear or aircraft applications without prior written approval from the CEO of GlobTek Inc.

Contents of this document are subject to change without prior notice.

GTM91128LI3CEL, 12.6W, 12.6V@1A, Wall Plug-in+Desktop Combination, Li-Ion Battery Charger

GlobTek, Inc. www.globtek.com 186 Veterans Drive, Northvale, NJ 07647 Tel. (201) 784-1000 Fax (201) 784-0111	Drawing Title: GTM91128LI3CEL, ITE / Medical Power Supply, Efficiency Level: N/A, Case Color/Style: GlobTek Black, Wall Plug-in+Desktop Combination, Li-Ion Battery Charger, Input Rating: 100-240V~, 50-60 Hz, IEC 60320/C8 w/ Wall Blades Option , Output Rating: 12.6W, 12.6V@1A, Output Configuration: 1830 mm, 18/1C + Shield Cond, UL 1185, 2 Pin DC Jack, Ferrite: Core Size: 14.2*28.5*8.2, GlobTek Black, GT Cord # C0780, Pin Out: Pin2: (-)/Pin1: (+), Blades/Input Cord: (Order Separately), Approvals: SIQ SIQ SIQ SIQ China RoHS CE RoHS China RoHS WEEE PSE Ukraine GOST-R Double Insulation cRUus ETL CB VCCI IP54	
	Model No. GTM91128LI3CEL	
	Part No./Ordering No. GTM91128LI3C1000XFX9	Rev

POWER SUPPLY INFORMATION

TYPE: Wall Plug-in+Desktop Combination
TECHNOLOGY: Li-Ion Battery Charger
CASE COLOR: GlobTek Black
NAMEPLATE RATED INPUT: 100-240V~, 50-60 Hz, 1.5A
INPUT CONFIG: IEC 60320/C8 w/ Wall Blades Option
WATTS: 12.6
VOLTS OUT: 12.6
CURRENT OUT (Amps): 1
BLADE/CORD INCLUDED: None:
BLADE/CORD INSTALLED: None:
GROUNDING CONFIGURATION
EFFICIENCY LEVEL: N/A
OUTPUT CONFIGURATION 1830 mm, 18/1C + Shield Cond, UL 1185, 2 Pin DC Jack, Ferrite: Core Size: 14.2*28.5*8.2, GlobTek Black, GT Cord # C0780
CONNECTOR PIN OUT: Pin2: (-)/Pin1: (+)
LABEL SPECS: ISO 15223 medical device compliant label,L-1470
PACK SPEC: Standard DT, with Blades

Notes/Modifications/Customizations (notes in this section supersede the values shown in the standard spec):

DIMENSIONS ARE IN MM UNLESS SPECIFIED OTHERWISE.

GlobTek, Inc. www.globtek.com 186 Veterans Drive, Northvale, NJ 07647 Tel. (201) 784-1000 Fax (201) 784-0111	Drawing Title: GTM91128LI3CEL, ITE / Medical Power Supply, Efficiency Level: N/A, Case Color/Style: GlobTek Black, Wall Plug-in+Desktop Combination, Li-Ion Battery Charger, Input Rating: 100-240V~, 50-60 Hz, IEC 60320/C8 w/ Wall Blades Option , Output Rating: 12.6W, 12.6V@1A, Output Configuration: 1830 mm, 18/1C + Shield Cond, UL 1185, 2 Pin DC Jack, Ferrite: Core Size: 14.2*28.5*8.2, GlobTek Black, GT Cord # C0780, Pin Out: Pin2: (-)/Pin1: (+), Blades/Input Cord: (Order Separately), Approvals: SIQ SIQ SIQ SIQ China RoHS CE RoHS China RoHS WEEE PSE Ukraine GOST-R Double Insulation cRUus ETL CB VCCI IP54	
	Model No. GTM91128LI3CEL	
	Part No./Ordering No. GTM91128LI3C1000XF9	Rev

ELECTRICAL SPECIFICATIONS

A) ELECTRICAL SPECIFICATIONS

- Input Voltage: Specified 90-264 Vac, Nameplate rated: 100-240Vac
Input Frequency: Specified 47-63 Hz, Nameplate rated 50-60Hz
Input Current: < 1.5A RMS Max
01. Pre-Charge Current: 10% of bulk charge current (typical)
 02. Bulk Charge Current: see table for nominal value, $\pm 10\%$ max variance
 03. Full Charge Voltage: 1 cell: 4.2Vdc; 2 cell: 8.4Vdc, 3 cell: 12.6Vdc, +/-1% Max Variance
 04. Charge Termination Current: 10% of bulk charge current (typical)
 05. Pre-Charge to Bulk Charge Battery Transition Voltage: 1 cell: 2.86Vdc to 3.15Vdc, 2 cell: 5.72Vdc to 6.30Vdc; 3 cell: 8.58Vdc to 9.45Vdc Charger will be in pre-charge mode when the battery voltage is below the transition voltage.
 06. Battery Charging Ambient Temperature: 0°C to 35°C
 07. Back-Up Charge Termination Timer: 3 hours standard. Timer may be set to 3 to 12 hours range for batteries with high Ahr capacity by GT engineering. Charger will terminate charging when timer expired. Please advise Sales dept of you battery Ahr capacity.
 08. LED Charge Status Indicator
 - a. Pre-Charge: Solid Amber
 - b. Bulk Charge: Solid Amber
 - c. Charge Complete: Solid Green
 - d. No battery or Fault: Green and Amber LED off

B) ENERGY EFFICIENCY PERFORMANCE

01. CEC Compliant, to Battery Charger Requirements, with up to 10Ahr battery
02. DOE Compliant, to Battery Charger Requirements, with up to 10Ahr battery

C) PROTECTION MODES*

01. Over Voltage Protection: 1 cell: 4.6Vdc - 5.0Vdc, 2 cell: 9.2Vdc - 10.0Vdc; 3 cell: 9.2Vdc - 10.0Vdc Charger will terminate charging when over voltage occurs
02. Short Circuit Protection: Charger will not commence charging when BAT+ and BAT- are shorted
03. Over Temperature Protection: Charger will terminate charging if battery temperature reached 45°C ± 3 °C. Charger will autorecover when temperature drops to about 30°C ± 3 °C. For this feature, 10Kohm thermistor (NTC, 103AT) is required to be installed inside the battery pack. For battery packs without the thermistor, over temperature protection feature is not available and a 10K Ohm resistor is installed inside the charger to bypass the over temperature protection circuit.
04. Reverse Battery Protection: Battery should be mechanically protected from being installed reversed
05. Defective Battery Protection: If battery voltage will not rise above the pre-charge to bulk charge transition voltage (2.86Vdc to 3.15Vdc) within 30 minutes from the time pre-charging begins, the battery is considered defective and the charger will terminate charging.

*When fault condition occurs, the battery has to be removed from the charger and reinstalled after at least 3 seconds to reset the protection. Charging will commence after battery reinstallation only when the fault is cleared.

D) SAFETY

1. IEC 60950-1, IEC 60601-1, IEC 60335-1, IEC 61558-1.
2. Dielectric Withstand Voltage: 5656 Vdc from primary to secondary
3. Earth Leakage Current: N/A for Class II units, there is no PE Ground pin, so Earth Leakage current is not measured
4. Touch Current: Maximum allowed values: 100uA NC(Normal condition) 500uA SFC(single fault condition)

E) OTHER:

01. MTBF: 300,000 Hours @ 25°C ambient temperature
02. Operating Temperature: 0°C to 35°C ambient temperature
03. Humidity: 0% to 90% relative humidity
04. Storage Temperature: -10°C to 70°C
05. Cooling: Convection

F) ENCLOSURE

01. Housing: High impact plastic, 94V0 polycarbonate, non-vented

PROPRIETARY INFORMATION

PROPRIETARY OF GLOBTEK, INC. ANY REPRODUCTION, DISCLOSURE OR USE OF THIS DRAWING, IN WHOLE OR IN PART, IS HEREBY PROHIBITED EXCEPT AS SPECIFIED IN WRITING BY GLOBTEK, INC.

quest /08/17/2018 9:33:11 AM

GlobTek, Inc.
 www.globtek.com
 186 Veterans Drive,
 Northvale, NJ 07647
 Tel. (201) 784-1000
 Fax (201) 784-0111

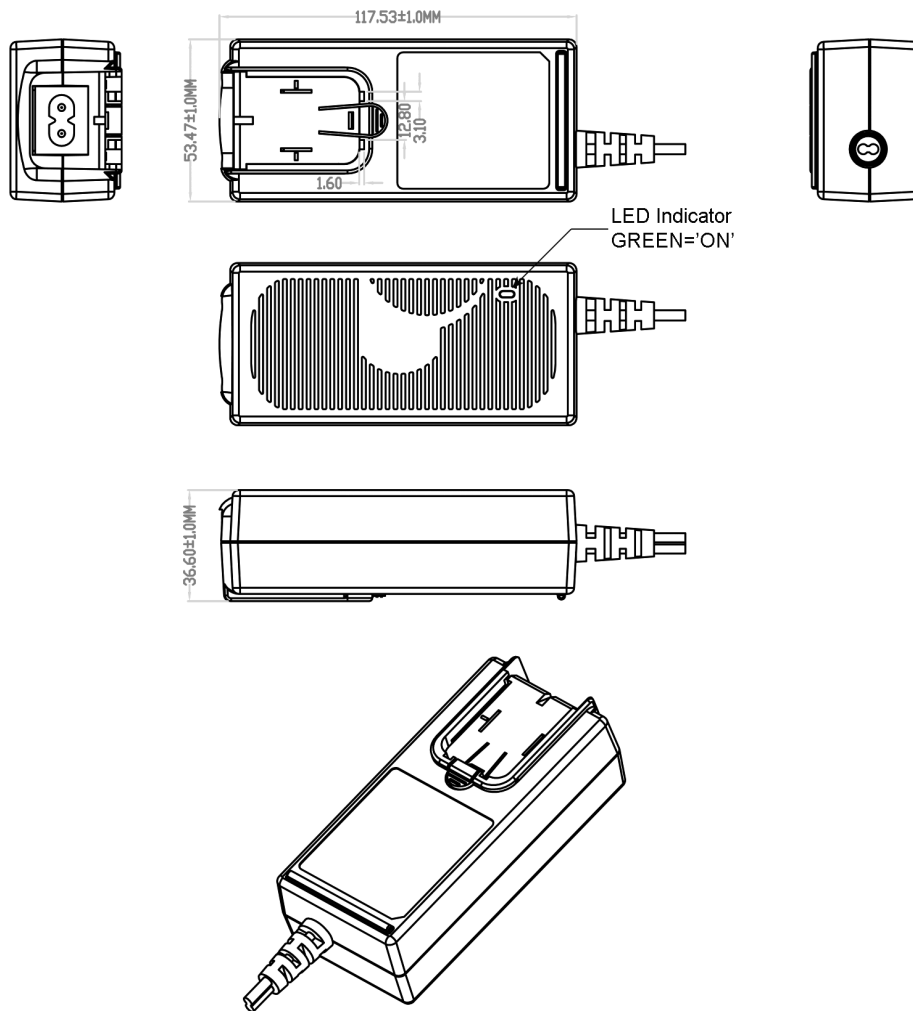
Drawing Title: GTM91128LI3CEL, ITE / Medical Power Supply, Efficiency Level: N/A, Case Color/Style: GlobTek Black, Wall Plug-in+Desktop Combination, Li-Ion Battery Charger, Input Rating: 100-240V~, 50-60 Hz, IEC 60320/C8 w/ Wall Blades Option, Output Rating: 12.6W, 12.6V@1A, Output Configuration: 1830 mm, 18/1C + Shield Cond, UL 1185, 2 Pin DC Jack, Ferrite: Core Size: 14.2*28.5*8.2, GlobTek Black, GT Cord # C0780, Pin Out: Pin2: (-)/Pin1: (+), Blades/Input Cord: (Order Separately), Approvals: SIQ SIQ SIQ SIQ China RoHS CE RoHS China RoHS WEEE PSE Ukraine GOST-R Double Insulation cRUus ETL CB VCCI IP54

Model No. GTM91128LI3CEL

Part No./Ordering No. GTM91128LI3C1000XF9

Rev

- 02. Size: 53.47*117.53*36.6 +/-1.0 mm
- 03. Markings: Label and/or Pad Printed and/or Molded in the case
- 04. GREEN LED to indicate (see above electrical specifications)



 **DESKTOP INSERT INSTALL**

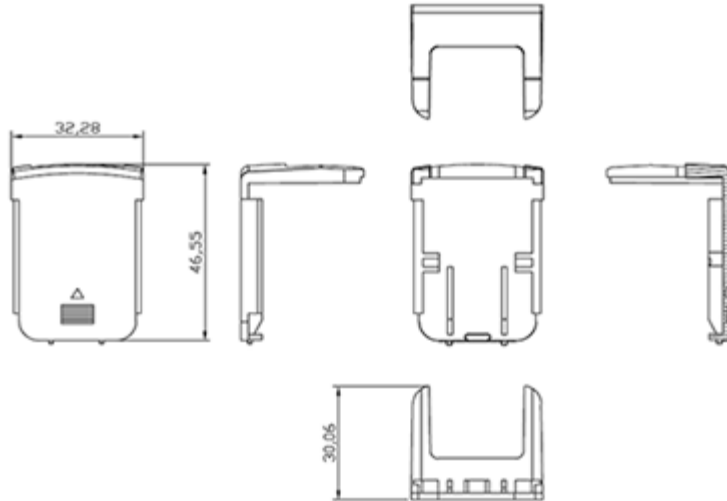
GlobTek, Inc.
 www.globtek.com
 186 Veterans Drive,
 Northvale, NJ 07647
 Tel. (201) 784-1000
 Fax (201) 784-0111

Drawing Title: GTM91128LI3CEL, ITE / Medical Power Supply, Efficiency Level: N/A, Case Color/Style: GlobTek Black, Wall Plug-in+Desktop Combination, Li-Ion Battery Charger, Input Rating: 100-240V~, 50-60 Hz, IEC 60320/C8 w/ Wall Blades Option, Output Rating: 12.6W, 12.6V@1A, Output Configuration: 1830 mm, 18/1C + Shield Cond, UL 1185, 2 Pin DC Jack, Ferrite: Core Size: 14.2*28.5*8.2, GlobTek Black, GT Cord # C0780, Pin Out: Pin2: (-)/Pin1: (+), Blades/Input Cord: (Order Separately), Approvals: SIQ SIQ SIQ SIQ China RoHS CE RoHS China RoHS WEEE PSE Ukraine GOST-R Double Insulation cRUus ETL CB VCCI IP54

Model No. GTM91128LI3CEL

Part No./Ordering No. GTM91128LI3C1000XFX9

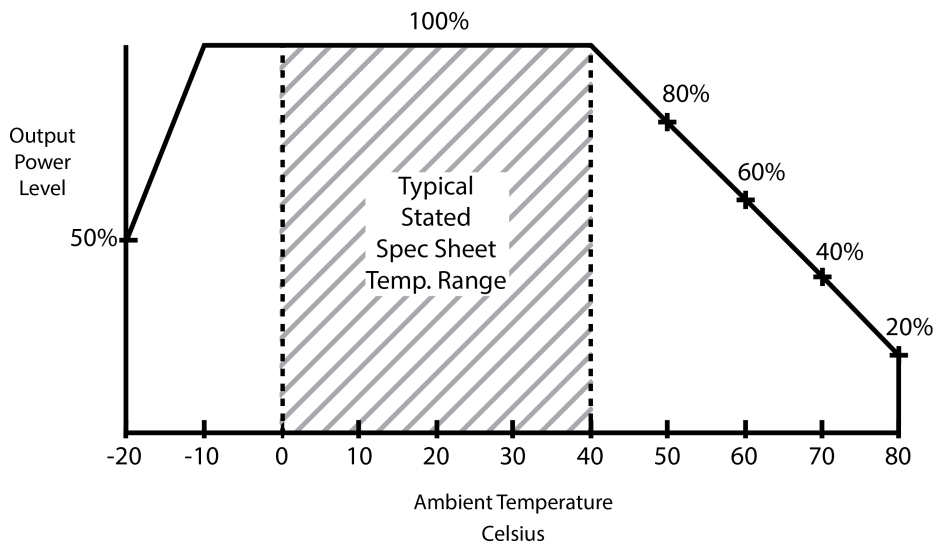
Rev



DERATING CURVE

**Typical External
 Power Supply Derating Curve**

(For Efficiency Level V and Efficiency Level VI Products)



GlobTek, Inc. www.globtek.com 186 Veterans Drive, Northvale, NJ 07647 Tel. (201) 784-1000 Fax (201) 784-0111	Drawing Title: GTM91128LI3CEL, ITE / Medical Power Supply, Efficiency Level: N/A, Case Color/Style: GlobTek Black, Wall Plug-in+Desktop Combination, Li-Ion Battery Charger, Input Rating: 100-240V~, 50-60 Hz, IEC 60320/C8 w/ Wall Blades Option, Output Rating: 12.6W, 12.6V@1A, Output Configuration: 1830 mm, 18/1C + Shield Cond, UL 1185, 2 Pin DC Jack, Ferrite: Core Size: 14.2*28.5*8.2, GlobTek Black, GT Cord # C0780, Pin Out: Pin2: (-)/Pin1: (+), Blades/Input Cord: (Order Separately), Approvals: SIQ SIQ SIQ SIQ China RoHS CE RoHS China RoHS WEEE PSE Ukraine GOST-R Double Insulation cRUus ETL CB VCCI IP54	
	Model No. GTM91128LI3CEL	
	Part No./Ordering No. GTM91128LI3C1000XF9	Rev

INPUT CONFIGURATION

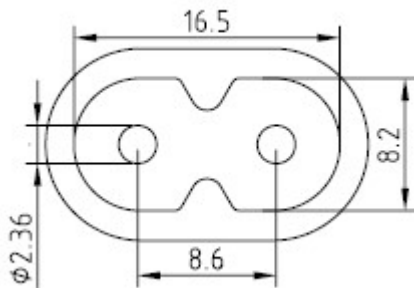
Blades/Cord Included: None:

Blades/Cord Installed: None:

IEC 60320/C8 AC Inlet connector

[Blade Insertion Instructions](#)

[R-Blade Style Instruction Video](#)



Mates with IEC 60320/C7 Plug

This series of Interchangeable Blade products may be used with Proprietary Interchangeable Blades as described below or with standard international power cords.

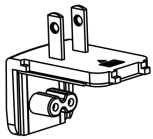
Optional INPUT BLADES: R-Socket: below are available blades configurations which are "not included" (unless stated above); may be purchased separately, packaged with power supply, or as a separate "R-KIT" if specified

1. Class II model NEMA 1-15P AC power plug with 2 prongs, R-NA-2(R)
2. Australian AS 3112 configuration: SAA 2 pins Class II, R-SAA-2(R)
3. UK BS 1363 configuration: UK 2 pins (dummy Ground) Class II, R-UK-2(R)
4. European CEE 7/16 configuration: Europlug 2 PINS, Class II, R-EU-2(R)
5. China GB 2099 configuration: 2 blades, Class II; CN P/N:R-CN-2(R)
6. Desktop Insert

Kits

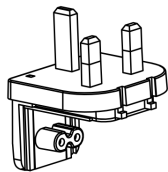
05. R-KIT: 1,2,3,4 above

06. R-KIT-INTL: 2,3,4 above



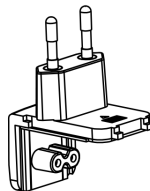
UL 2P

P/N: R-NA-2(R)
 NORTH AMERICA
 JAPAN



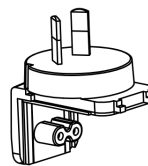
UK 2P

P/N: R-UK-2(R)
 UNITED KINGDOM
 HONG KONG
 SINGAPORE



EU 2P

P/N: R-EU-2(R)
 EUROPE
 SOUTH AMERICA



AUS 2P

P/N: R-SAA-2(R)
 AUSTRALIA

GlobTek, Inc. www.globtek.com 186 Veterans Drive, Northvale, NJ 07647 Tel. (201) 784-1000 Fax (201) 784-0111	Drawing Title: GTM91128LI3CEL, ITE / Medical Power Supply, Efficiency Level: N/A, Case Color/Style: GlobTek Black, Wall Plug-in+Desktop Combination, Li-Ion Battery Charger, Input Rating: 100-240V~, 50-60 Hz, IEC 60320/C8 w/ Wall Blades Option , Output Rating: 12.6W, 12.6V@1A, Output Configuration: 1830 mm, 18/1C + Shield Cond, UL 1185, 2 Pin DC Jack, Ferrite: Core Size: 14.2*28.5*8.2, GlobTek Black, GT Cord # C0780, Pin Out: Pin2: (-)/Pin1: (+), Blades/Input Cord: (Order Separately), Approvals: SIQ SIQ SIQ SIQ China RoHS CE RoHS China RoHS WEEE PSE Ukraine GOST-R Double Insulation cRUus ETL CB VCCI IP54	
	Model No. GTM91128LI3CEL	
	Part No./Ordering No. GTM91128LI3C1000XFX9	Rev

Standard Cordsets

Below are standard cordsets which are "not included" (unless stated above); these may be purchased separately or packaged with the power supply. Contact your Sales Engineer if the style required is not shown below. Many more available in different lengths, colors or cable material.

Standard International IEC 320/C7 Cordsets

4511116F703A(R)	N. American, Type A	NEMA 1-15P	IEC 320/C7	1830	6
5014112M703A(R)	Australian	AS 3112	IEC 320/C7	2000	7
2094112M703(R)	Argentina	IRAM 2063	IEC 320/C7	2000	7
4533501M8703(R)	China	GB 2099.1	IEC 320/C7	1830	6
2074112M703A(R)	European, Type C	CEE 7/16	IEC 320/C7	2000	7
451J3401M8703(R)	Japan	JIS 8303	IEC 320/C7	1830	6
6104112M703A(R)	UK, Type G	BS1363	IEC 320/C7	2000	7
2044112M703®	Korea	KS C8305	IEC 320/C7	2000	7
4033401M8703A(R)	Taiwan	CNS690	IEC 320/C7	1830	6
207B4111M8703(R)	Brazil	NBR14136	IEC 320/C7	1800	6

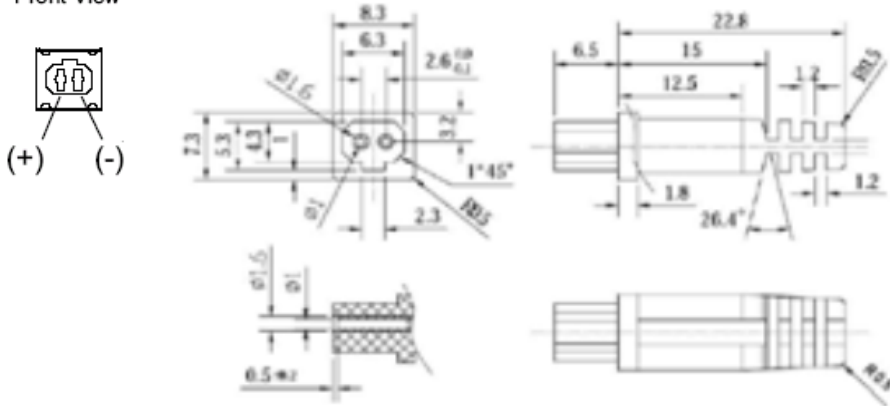
GlobTek, Inc. www.globtek.com 186 Veterans Drive, Northvale, NJ 07647 Tel. (201) 784-1000 Fax (201) 784-0111	Drawing Title: GTM91128LI3CEL, ITE / Medical Power Supply, Efficiency Level: N/A, Case Color/Style: GlobTek Black, Wall Plug-in+Desktop Combination, Li-Ion Battery Charger, Input Rating: 100-240V~, 50-60 Hz, IEC 60320/C8 w/ Wall Blades Option , Output Rating: 12.6W, 12.6V@1A, Output Configuration: 1830 mm, 18/1C + Shield Cond, UL 1185, 2 Pin DC Jack, Ferrite: Core Size: 14.2*28.5*8.2, GlobTek Black, GT Cord # C0780, Pin Out: Pin2: (-)/Pin1: (+), Blades/Input Cord: (Order Separately), Approvals: SIQ SIQ SIQ SIQ China RoHS CE RoHS China RoHS WEEE PSE Ukraine GOST-R Double Insulation cRUus ETL CB VCCI IP54	
	Model No. GTM91128LI3CEL	
	Part No./Ordering No. GTM91128LI3C1000XFX9	Rev

OUTPUT CORD AND CONNECTOR: FX9/C0780

ACTUAL CONNECTORS, OVERMOLDS, FERRITES MAY VARY SLIGHTLY FROM THE PICTURE BELOW

CABLE TYPE	UL 1185
CABLE LENGTH (mm)	1830
CABLE TOLERANCE (mm)	+150-0
WIRE GAUGE (AWG)	18
CONDUCTORS	1C + Shield
HANK DIMENSION (mm)	80mm +10 -10
CABLE / CONNECTOR OVERMOLD COLOR	GlobTek Black
FERRITE TYPE / DIMENSION	Core Size: 14.2*28.5*8.2
FERRITE # OF TURNS (Definition)	2 Pass thru core (1 turns)
FERRITE DIMENSION FROM STRAIN RELIEF	50mm +/-10
FERRITE DIMENSION FROM PLUG	N/A
PLUG TYPE	2 Pin DC Jack
OVER MOLD ORIENTATION	Straight
CONNECTOR PIN OUT:	Pin2: (-)/Pin1: (+)
ADDITIONAL REQUIREMENTS	

Front View



Warning label to be added to the cable (next to case strain relief):

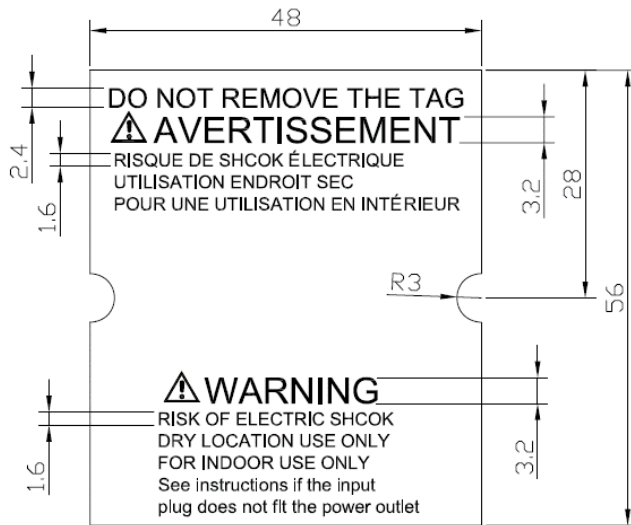
GlobTek, Inc.
 www.globtek.com
 186 Veterans Drive,
 Northvale, NJ 07647
 Tel. (201) 784-1000
 Fax (201) 784-0111

Drawing Title: GTM91128LI3CEL, ITE / Medical Power Supply, Efficiency Level: N/A, Case Color/Style: GlobTek Black, Wall Plug-in+Desktop Combination, Li-Ion Battery Charger, Input Rating: 100-240V~, 50-60 Hz, IEC 60320/C8 w/ Wall Blades Option , Output Rating: 12.6W, 12.6V@1A, Output Configuration: 1830 mm, 18/1C + Shield Cond, UL 1185, 2 Pin DC Jack, Ferrite: Core Size: 14.2*28.5*8.2, GlobTek Black, GT Cord # C0780, Pin Out: Pin2: (-)/Pin1: (+), Blades/Input Cord: (Order Separately), Approvals: SIQ SIQ SIQ SIQ China RoHS CE RoHS China RoHS WEEE PSE Ukraine GOST-R Double Insulation cRUus ETL CB VCCI IP54

Model No. GTM91128LI3CEL

Part No./Ordering No. GTM91128LI3C1000XFX9

Rev



BACKGROUND:BLACK
 TEXT:WHITE

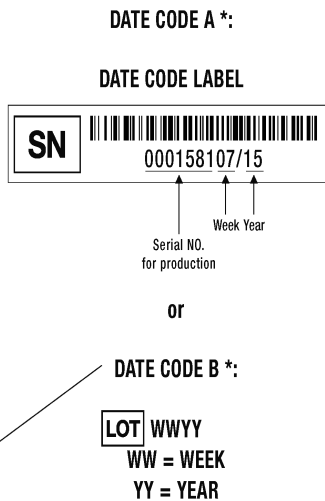
ADDITIONAL OUTPUT PLUG OPTIONS ARE AVAILABLE AT <http://www.globtek.com/connectors/>
 STANDARD PLUGS AND CONNECTORS CAN BE SEEN ONLINE AT <http://www.globtek.com/connectors/>

GlobTek, Inc. www.globtek.com 186 Veterans Drive, Northvale, NJ 07647 Tel. (201) 784-1000 Fax (201) 784-0111	Drawing Title: GTM91128LI3CEL, ITE / Medical Power Supply, Efficiency Level: N/A, Case Color/Style: GlobTek Black, Wall Plug-in+Desktop Combination, Li-Ion Battery Charger, Input Rating: 100-240V~, 50-60 Hz, IEC 60320/C8 w/ Wall Blades Option , Output Rating: 12.6W, 12.6V@1A, Output Configuration: 1830 mm, 18/1C + Shield Cond, UL 1185, 2 Pin DC Jack, Ferrite: Core Size: 14.2*28.5*8.2, GlobTek Black, GT Cord # C0780, Pin Out: Pin2: (-)/Pin1: (+), Blades/Input Cord: (Order Separately), Approvals: SIQ SIQ SIQ SIQ China RoHS CE RoHS China RoHS WEEE PSE Ukraine GOST-R Double Insulation cRUus ETL CB VCCI IP54	
	Model No. GTM91128LI3CEL	
	Part No./Ordering No. GTM91128LI3C1000XFX9	Rev

LABEL:L-1470

LABEL P/N: ISO 15223 medical device compliant label
MATERIAL: Flat Thermal Transfer, Imprintable, Polyester Label and/or Pad Printed and/or Molded, and/or Laser Engraved in the case
BACKGROUND COLOR: Black if housing is Black, White or Silver if housing is White or Gray.
TEXT COLOR: White or Silver if label is Black Background for Black housing. Black if label is White or Silver background and Housing is White or Gray
LABEL WIDTH (mm): 45.0
LABEL HEIGHT (mm): 50.0

Below is the minimum information which will appear on the label. NOTE: in the logo area additional/actual positioning of symbols and text is subjected to change as per agency updates/requirements or additional model approvals become available.
 Agency logos may be in Regulatory Certifications/Label Markings area on the label or molded into the case housing outside the label area. Information will be shown via Label and/or Pad Printed and/or Molded in the case.



A=ITE / Medical Power Supply
 B=P/N: (料号) GTM91128LI3C1000XFX9
 C=Model (型号) GTM91128LI3CEL
 D=Input (输入) 100-240V~, 50-60 Hz, 1.5A
 E=Output (输出) 12.6 V 1 A, 12.6W

AGENCY ONLINE DOCUMENTS

<http://globtek.info/certs/GTM91128%20Lithium%20Ion%20Battery/>

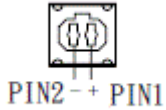
GlobTek, Inc. www.globtek.com 186 Veterans Drive, Northvale, NJ 07647 Tel. (201) 784-1000 Fax (201) 784-0111	Drawing Title: GTM91128LI3CEL, ITE / Medical Power Supply, Efficiency Level: N/A, Case Color/Style: GlobTek Black, Wall Plug-in+Desktop Combination, Li-Ion Battery Charger, Input Rating: 100-240V~, 50-60 Hz, IEC 60320/C8 w/ Wall Blades Option, Output Rating: 12.6W, 12.6V@1A, Output Configuration: 1830 mm, 18/1C + Shield Cond, UL 1185, 2 Pin DC Jack, Ferrite: Core Size: 14.2*28.5*8.2, GlobTek Black, GT Cord # C0780, Pin Out: Pin2: (-)/Pin1: (+), Blades/Input Cord: (Order Separately), Approvals: SIQ SIQ SIQ SIQ China RoHS CE RoHS China RoHS WEEE PSE Ukraine GOST-R Double Insulation cRUus ETL CB VCCI IP54	
	Model No. GTM91128LI3CEL	
	Part No./Ordering No. GTM91128LI3C1000XFX9	Rev

- CE EC-Declaration for Medical http://www.globtek.com/pdf/ec_declaration/a0Oa000000C2KH4EAN
 - CE EC-Declaration for Industrial/Commercial/ITE http://www.globtek.com/pdf/ec_declaration/a0Oa000000C2KH4EAN
 - RoHS/RoHS2 Declaration http://www.globtek.com/pdf/rohs_cert/01ta0000003dRHZAAM
 - REACH Declaration http://www.globtek.com/pdf/iso_certificates/REACH.pdf
 - Conflict Minerals Declaration <http://www.globtek.com/pdf/conflict-minerals.pdf>
- IPXY rating is based on 3rd party testing and customers should check suitability and test system level IPXY rating before ordering.

Regulatory Certifications/Label Markings

- LATEST PRODUCT/MODEL CERTIFICATIONS: <http://en.globtek.com/datasheet/id/a0Oa000000C2KH4>
- AGENCY ONLINE DOCUMENTS: <http://globtek.info/certs/GTM91128%20Lithium%20Ion%20Battery/>

FRONT VIEW



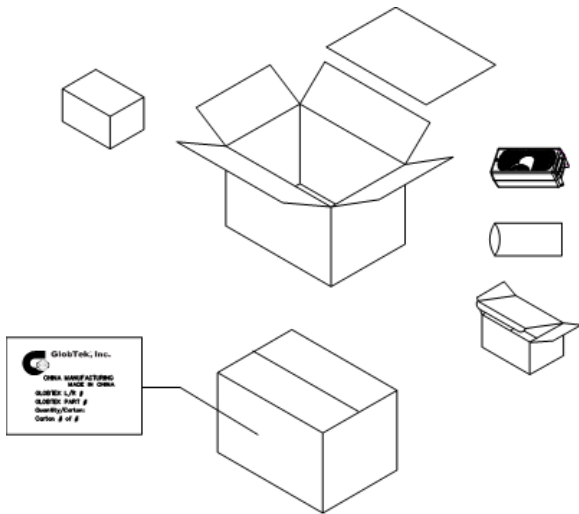
Pin2: (-)/Pin1: (+)

GlobTek, Inc. www.globtek.com 186 Veterans Drive, Northvale, NJ 07647 Tel. (201) 784-1000 Fax (201) 784-0111	Drawing Title: GTM91128LI3CEL, ITE / Medical Power Supply, Efficiency Level: N/A, Case Color/Style: GlobTek Black, Wall Plug-in+Desktop Combination, Li-Ion Battery Charger, Input Rating: 100-240V~, 50-60 Hz, IEC 60320/C8 w/ Wall Blades Option , Output Rating: 12.6W, 12.6V@1A, Output Configuration: 1830 mm, 18/1C + Shield Cond, UL 1185, 2 Pin DC Jack, Ferrite: Core Size: 14.2*28.5*8.2, GlobTek Black, GT Cord # C0780, Pin Out: Pin2: (-)/Pin1: (+), Blades/Input Cord: (Order Separately), Approvals: SIQ SIQ SIQ SIQ China RoHS CE RoHS China RoHS WEEE PSE Ukraine GOST-R Double Insulation cRUus ETL CB VCCI IP54	
	Model No. GTM91128LI3CEL	
	Part No./Ordering No. GTM91128LI3C1000XFX9	Rev

PACKAGING

Packing Spec P/N: Standard DT, with Blades
 Box Qty: 60
 Gift Box Size (mm): 142*60*62
 Gift Box Color: White
 Master Carton Size (mm): 442*330*275
 Master GW (Kg): 15.2 kg
 BLADES INCLUDED: None:
 BLADE/CORD INSTALLED: None:

If specific packaging is required, this section must specify all requirements and note "no exceptions". If this section does not specify packaging, it is subject to change without notice at GlobTek's discretion



GlobTek, Inc. www.globtek.com 186 Veterans Drive, Northvale, NJ 07647 Tel. (201) 784-1000 Fax (201) 784-0111	Drawing Title: GTM91128LI3CEL, ITE / Medical Power Supply, Efficiency Level: N/A, Case Color/Style: GlobTek Black, Wall Plug-in+Desktop Combination, Li-Ion Battery Charger, Input Rating: 100-240V~, 50-60 Hz, IEC 60320/C8 w/ Wall Blades Option , Output Rating: 12.6W, 12.6V@1A, Output Configuration: 1830 mm, 18/1C + Shield Cond, UL 1185, 2 Pin DC Jack, Ferrite: Core Size: 14.2*28.5*8.2, GlobTek Black, GT Cord # C0780, Pin Out: Pin2: (-)/Pin1: (+), Blades/Input Cord: (Order Separately), Approvals: SIQ SIQ SIQ SIQ China RoHS CE RoHS China RoHS WEEE PSE Ukraine GOST-R Double Insulation cRUus ETL CB VCCI IP54	
	Model No. GTM91128LI3CEL	
	Part No./Ordering No. GTM91128LI3C1000XFX9	Rev

INSTRUCTION SHEET

N/A