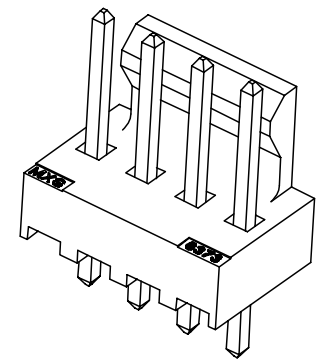
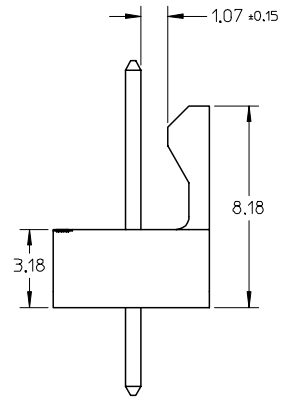
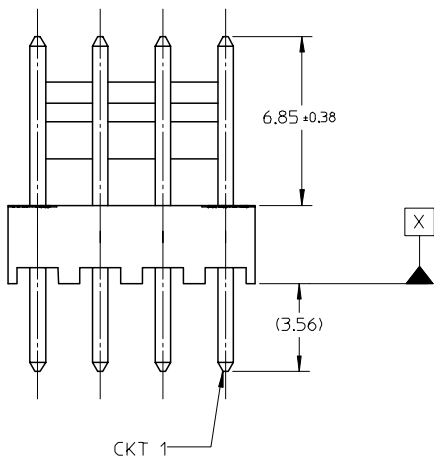
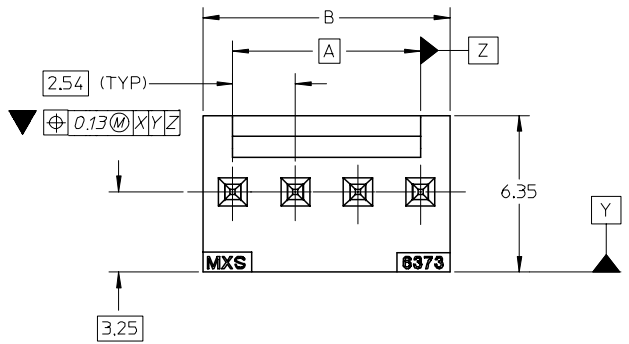


ASSEMBLY P/N	CKT SIZE	DIM. A	DIM. B
45661-1004	4	7.62	10.00



NOTES:

1. MATERIAL: NYLON, UL 94V-0, COLOR: WHITE
2. FINISH: 0.75um/30uin MIN. GOLD IN CONTACT AREA AND 1.88um/75uin MIN TIN IN SOLDER TAIL AREA OVER 1.25um/50uin MIN. NICKEL OVERALL.
3. PRODUCT SPECIFICATION: PS-10-07

EC NO: S2005-0361 DRWN: BOKOK CHKD: CGOH APPR: SLOW	2004/11/10 2004/11/10 2004/11/27	DESCRIPTION REV	QUALITY SYMBOLS ▽=1 ▽=0	GENERAL TOLERANCES (UNLESS SPECIFIED)	DIMENSION STYLE MM ONLY	SCALE NTS	DESIGN UNITS METRIC	THIRD ANGLE PROJECTION																															
			DRAFT WHERE APPLICABLE MUST REMAIN WITHIN DIMENSIONS	<table border="1"> <tr> <th></th> <th>mm</th> <th>INCH</th> </tr> <tr> <td>4 PLACES</td> <td>± ---</td> <td>± ---</td> </tr> <tr> <td>3 PLACES</td> <td>± ---</td> <td>± ---</td> </tr> <tr> <td>2 PLACES</td> <td>± 0.25</td> <td>± ---</td> </tr> <tr> <td>1 PLACE</td> <td>± 0.38</td> <td>± ---</td> </tr> <tr> <td colspan="3">ANGULAR ± 3 °</td> </tr> </table>		mm	INCH	4 PLACES	± ---	± ---	3 PLACES	± ---	± ---	2 PLACES	± 0.25	± ---	1 PLACE	± 0.38	± ---	ANGULAR ± 3 °			<table border="1"> <tr> <td>DRAWN BY</td> <td>DATE</td> <td>TITLE</td> </tr> <tr> <td>BOKOK</td> <td>2004/10/20</td> <td rowspan="2">SALES DRAWING KK 100 HEADER FRLK WITH MULTIPLY MATING</td> </tr> <tr> <td>CHECKED BY</td> <td>DATE</td> </tr> <tr> <td>CGOH</td> <td>2004/10/26</td> <td rowspan="2">MOLEX INCORPORATED</td> </tr> <tr> <td>APPROVED BY</td> <td>DATE</td> </tr> <tr> <td>SLOW</td> <td>2004/11/01</td> <td></td> </tr> </table>	DRAWN BY	DATE	TITLE	BOKOK	2004/10/20	SALES DRAWING KK 100 HEADER FRLK WITH MULTIPLY MATING	CHECKED BY	DATE	CGOH	2004/10/26	MOLEX INCORPORATED	APPROVED BY	DATE	SLOW	2004/11/01	
	mm	INCH																																					
4 PLACES	± ---	± ---																																					
3 PLACES	± ---	± ---																																					
2 PLACES	± 0.25	± ---																																					
1 PLACE	± 0.38	± ---																																					
ANGULAR ± 3 °																																							
DRAWN BY	DATE	TITLE																																					
BOKOK	2004/10/20	SALES DRAWING KK 100 HEADER FRLK WITH MULTIPLY MATING																																					
CHECKED BY	DATE																																						
CGOH	2004/10/26	MOLEX INCORPORATED																																					
APPROVED BY	DATE																																						
SLOW	2004/11/01																																						