

THIS DRAWING IS UNPUBLISHED.

RELEASED FOR PUBLICATION OCT , 2005.

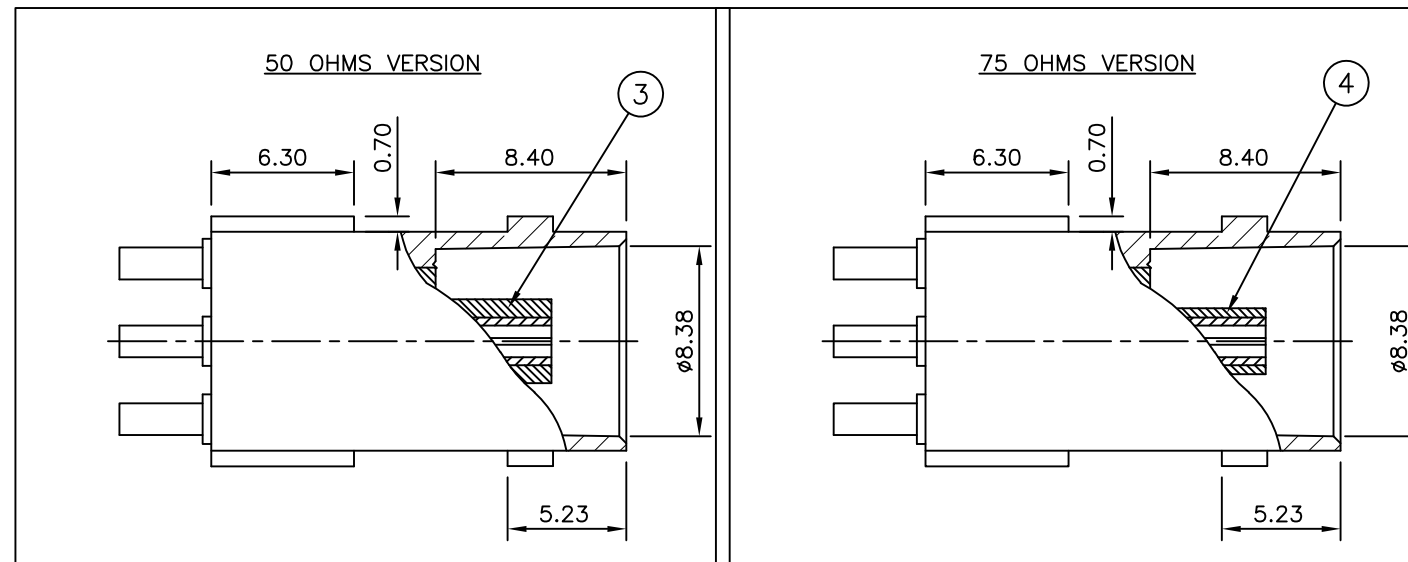
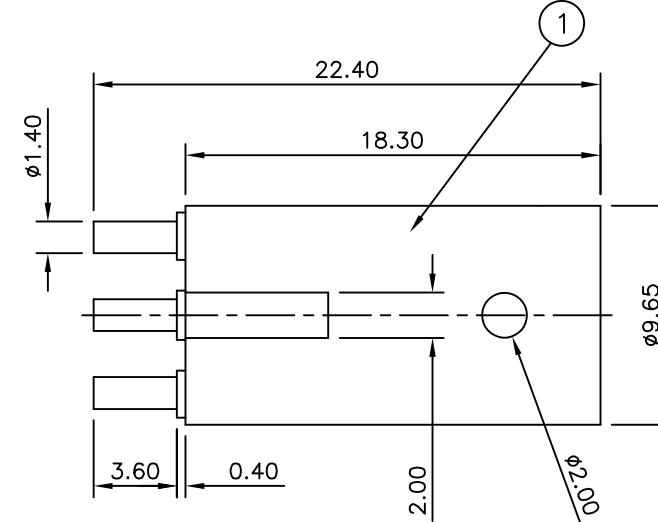
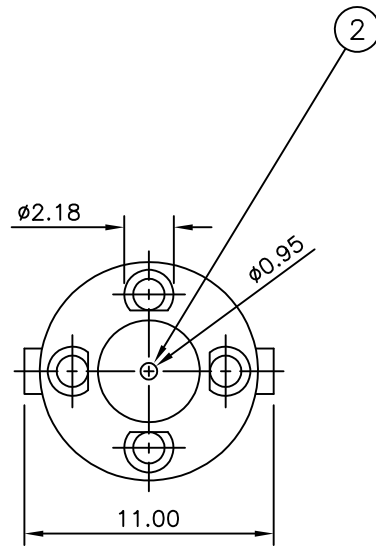
© COPYRIGHT 2005 By -

ALL RIGHTS RESERVED.

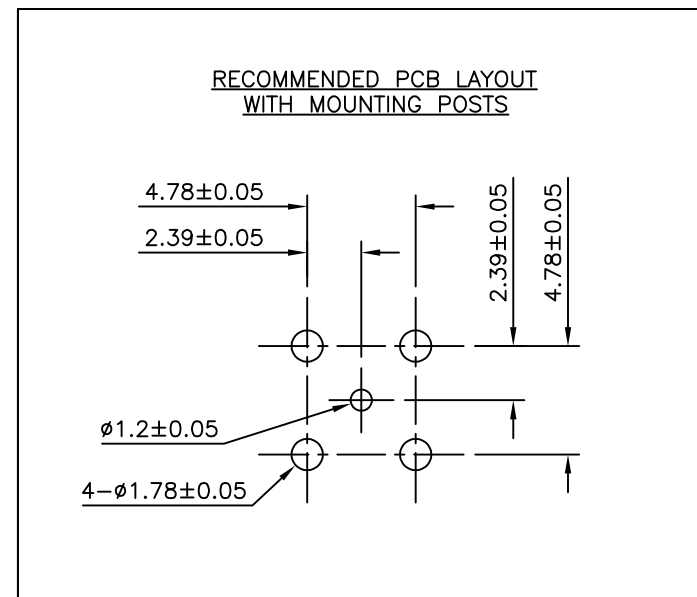
LOC	DIST	REVISIONS					
		P	LTR	DESCRIPTION	DATE	DWN	APVD
E	B		B	ECO-09-003420	11 Mar 09	RITA	BOB
			C	ECO-12-011817	03 Jul 12	TITAN	MARTIN

NOTES

- ① 100 TRAY PACK IN ACCORDANCE WITH AMP SPEC 107-3275
- ② SINGLE PACK IN ACCORDANCE WITH AMP SPEC 107-3275
- ③ Au PLATING
- ④ Ni PLATING



QTY	1	1	-	-	TPX	INSULATOR	4
	-	-	1	1	TPX	INSULATOR	3
	1	1	1	1	PHOS BRONZE	③ CONTACT	2
	1	1	1	1	ZINC ALLOY	④ BODY	1
	5--3	5--2	5--1	5--0	MATERIAL	DESCRIPTION	ITEM
	①	②	③	④			



THIS DRAWING IS A CONTROLLED DOCUMENT.

DIMENSIONS:	TOLERANCES UNLESS OTHERWISE SPECIFIED:
mm	
	0 PLC ± -
	1 PLC ± -
	2 PLC ± -
	3 PLC ± -
	4 PLC ± -
	ANGLES ± -
MATERIAL	FINISH
-	-

DWN RITA ZUO 11 Mar 09
 CHK ANSON MA 11 Mar 09
 APVD BOB ZHAO 11 Mar 09
 PRODUCT SPEC 108-112000
 APPLICATION SPEC

STE TE Connectivity
 BNC STRAIGHT PCB SOCKET

SIZE CAGE CODE DRAWING NO RESTRICTED TO
 A3 00779 C-1634522

CUSTOMER DRAWING SCALE NTS SHEET 1 OF 1 REV C