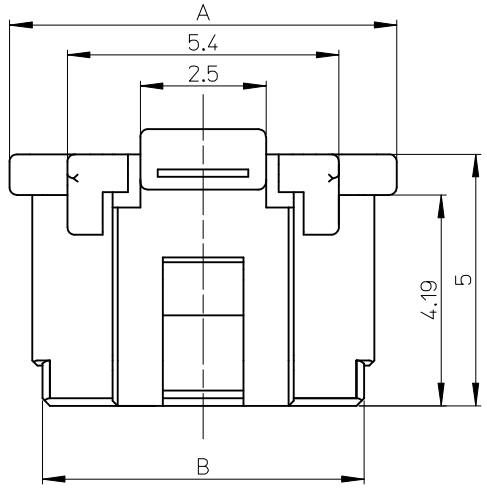
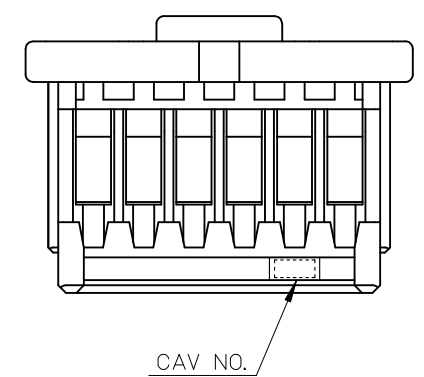
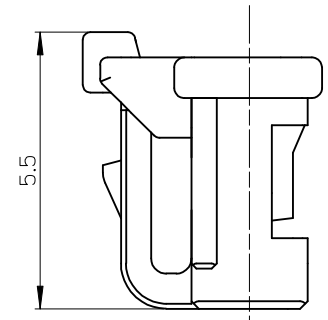


VIEW "D"



VIEW D



- NOTES.
- 適合ターミナル : 501334-\*\*\*\*  
 APPLICABLE TERMINAL : 501334-\*\*\*\*
  - 嵌合相手 : 501331-\*\*\*\*  
 MATE WITH : 501331-\*\*\*\*
  - 偶数極に適用  
 APPLY FOR EVEN CIRCUIT SIZE
  - 2~5極は、SD-501330-001を参照下さい。  
 REFER TO SD-501330-001 ABOUT 2-5CKT.
  - ELV 及び RoHS適合品  
 ELV AND RoHS COMPLIANT.
  - 材質  
 MATERIAL  
 66ナイロン 66NYLON  
 ガラス無充填 GLASS FILLED 0%  
 UL94V-0


※対応可能な極数は、別途お問い合わせ下さい。

14.0	15.4	16.7	501330-15**	15	501330-**0* 501330-**3*
13.0	14.4	15.7	501330-14**	14	
12.0	13.4	14.7	501330-13**	13	
11.0	12.4	13.7	501330-12**	12	
10.0	11.4	12.7	501330-11**	11	
9.0	10.4	11.7	501330-10**	10	
8.0	9.4	10.7	501330-09**	9	
7.0	8.4	9.7	501330-08**	8	
6.0	7.4	8.7	501330-07**	7	
5.0	6.4	7.7	501330-06**	6	
C	B	A	MATERIAL NO.	CKT.	MODEL NO.

REVISED EC NO. J2016-0342 DRW: NIKITA 2015/10/02 CHK: KASAKAWA 2015/10/02 APPR: NUKITA 2015/10/02	GENERAL TOLERANCES (UNLESS SPECIFIED)		DIMENSION STYLE MM ONLY		SCALE 10:1	DESIGN UNITS METRIC	THIRD ANGLE PROJECTION
	0.25 UNDER	±0.03	DRAWN BY NYOSHIDA	DATE 2004/07/30	TITLE 1.0 WIRE TO BOARD CONN. 1-ROW RECEPTACLE HOUSING 6-15CKT.		
	0.25 OVER 0.5 UNDER	±0.05	CHECKED BY MYAGI	DATE 2004/07/30			
	0.5 OVER 1.0 UNDER	±0.1	APPROVED BY NUKITA	DATE 2015/10/02			
1.0 OVER 10 UNDER	±0.2	MATERIAL NO.		DOCUMENT NO.	SHEET NO.		
10 OVER 30 UNDER	±0.25	SEE TABLE		SD-501330-002	1 OF 2		
30 OVER	±0.3	THIS DRAWING CONTAINS INFORMATION THAT IS PROPRIETARY TO MOLEX INCORPORATED AND SHOULD NOT BE USED WITHOUT WRITTEN PERMISSION					
ANGULAR ±3 °		DRAFT WHERE APPLICABLE MUST REMAIN WITHIN DIMENSIONS					

紫 VIOLET	橙 ORANGE	茶 BROWN	緑 GREEN	青 BLUE	黄 YELLOW	赤 RED	黒 BLACK	色 COLOR	
501330-1539	501330-1538	501330-1537	501330-1536	501330-1534	501330-1533	501330-1532	501330-1531	15	501330-***3*
501330-1439	501330-1438	501330-1437	501330-1436	501330-1434	501330-1433	501330-1432	501330-1431	14	
501330-1339	501330-1338	501330-1337	501330-1336	501330-1334	501330-1333	501330-1332	501330-1331	13	
501330-1239	501330-1238	501330-1237	501330-1236	501330-1234	501330-1233	501330-1232	501330-1231	12	
501330-1139	501330-1138	501330-1137	501330-1136	501330-1134	501330-1133	501330-1132	501330-1131	11	
501330-1039	501330-1038	501330-1037	501330-1036	501330-1034	501330-1033	501330-1032	501330-1031	10	
501330-0939	501330-0938	501330-0937	501330-0936	501330-0934	501330-0933	501330-0932	501330-0931	9	
501330-0839	501330-0838	501330-0837	501330-0836	501330-0834	501330-0833	501330-0832	501330-0831	8	
501330-0739	501330-0738	501330-0737	501330-0736	501330-0734	501330-0733	501330-0732	501330-0731	7	
501330-0639	501330-0638	501330-0637	501330-0636	501330-0634	501330-0633	501330-0632	501330-0631	6	
MATERIAL NO.	MATERIAL NO.	MATERIAL NO.	MATERIAL NO.	MATERIAL NO.	MATERIAL NO.	MATERIAL NO.	MATERIAL NO.	CKT.	MODEL NO.

白 WHITE	色 COLOR	
501330-1500	15	501330-***00
501330-1400	14	
501330-1300	13	
501330-1200	12	
501330-1100	11	
501330-1000	10	
501330-0900	9	
501330-0800	8	
501330-0700	7	
501330-0600	6	
MATERIAL NO.	CKT.	MODEL NO.

<b>REVISED</b> EC NO: J2016-0342 DRINKMATSUYAMA 2015/10/02 CHKD:KASAKAWA 2015/10/02 APPR:NUKITA 2015/10/02	GENERAL TOLERANCES (UNLESS SPECIFIED)		DIMENSION STYLE <b>MM ONLY</b>		SCALE <b>10:1</b>	DESIGN UNITS <b>METRIC</b>	THIRD ANGLE PROJECTION	
	0.25 UNDER	± 0.03	DRAWN BY	DATE	TITLE			
	0.25 OVER 0.5 UNDER	± 0.05	NYOSHIDA	2004/07/30	<b>1.0 WIRE TO BOARD CONN.                  1-ROW RECEPTACLE HOUSING                  6-15CKT.</b>			
	0.5 OVER 1.0 UNDER	± 0.1	CHECKED BY	DATE				
	1.0 OVER 10 UNDER	± 0.2	MYAGI	2004/07/30				
	10 OVER 30 UNDER	± 0.25	APPROVED BY	DATE				
30 OVER	± 0.3	NUKITA	2015/10/02	MATERIAL NO.	DOCUMENT NO.	SHEET NO.		
ANGULAR ±3 °		<b>SEE TABLE</b>		<b>SD-501330-002</b>		<b>2 OF 2</b>		
DRAFT WHERE APPLICABLE MUST REMAIN WITHIN DIMENSIONS			SIZE <b>A3</b>	THIS DRAWING CONTAINS INFORMATION THAT IS PROPRIETARY TO MOLEX INCORPORATED AND SHOULD NOT BE USED WITHOUT WRITTEN PERMISSION				