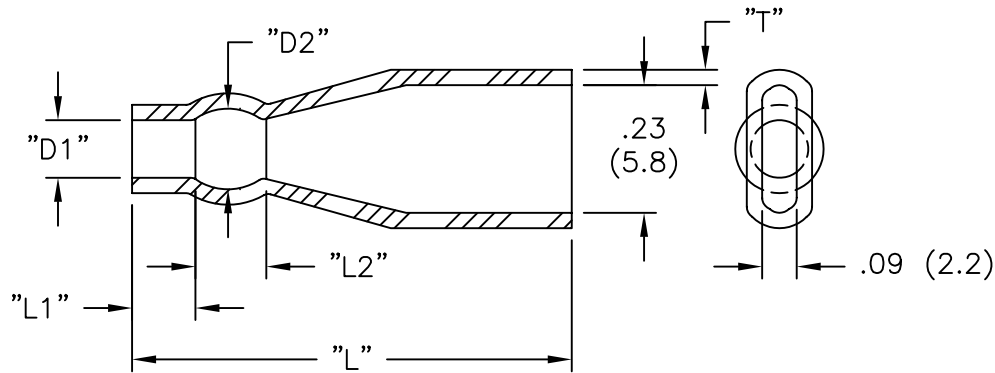


RICHCO PART NO.	WIRE O.D. RANGE	WIRE GA.	"D1"	"D2"	"L1" ±.04 (±1.0)	"L2"	"L" ±.04 (±1.0)	"T"
235830	.058-.091 (1.5-2.3)	20-18	.12 (3.0)	.16 (4.0)	.20 (5.0)	.10 (2.5)	.91 (23.0)	.03 (0.8)
235835	.071-.140 (1.8-3.6)	18-14	.14 (3.5)	.18 (4.5)	.20 (5.0)	.12 (3.0)	.91 (23.0)	.03 (0.8)



NOTES:

- MAT'L: SOFT PVC (RMS-55),
UL YELLOW CARD E81260.
- COLOR: TRANSPARENT BLUE.

TITLE: "QUICK FIT" INSULATOR-187 SERIES			DWG IN IN (MM)	FINAL	PRINT TYPE
TOLERANCES UNLESS NOTED .XX=±.010 .XXX=±.005 FRAC=±1/64 ANG=±1°	FILE # 2358XX MAT'L: SEE NOTES RE: RICHCO, INC.	DWN: P.B. DT: 12-22-95	APP: DT:	PART # SEE TABLE	CA
C SEE CO 200041 FOR CHANGES SK 09.28.07	B SEE ECN #863 FOR CHANGES SM 10.04.04	A CHANGED FILE NO. AND TITLE BLOCK SM 03.22.02	REVISION	DESCRIPTION	ENGR DATE
RICHCO INC. PO BOX 804238, CHICAGO, 60680 (773) 539-4060					