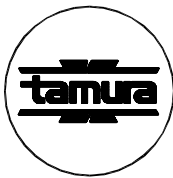


REV. Status

PRELIMINARY
10/23/00 LL

PRELIMINARY 1
SIDE VIEW
REDRAWN.
10/27/00 LL

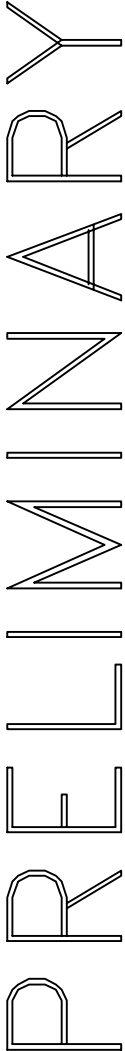
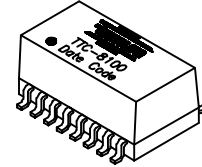
PRELIMINARY 2
CHANGED
HEIGHT
12/20/00 LL



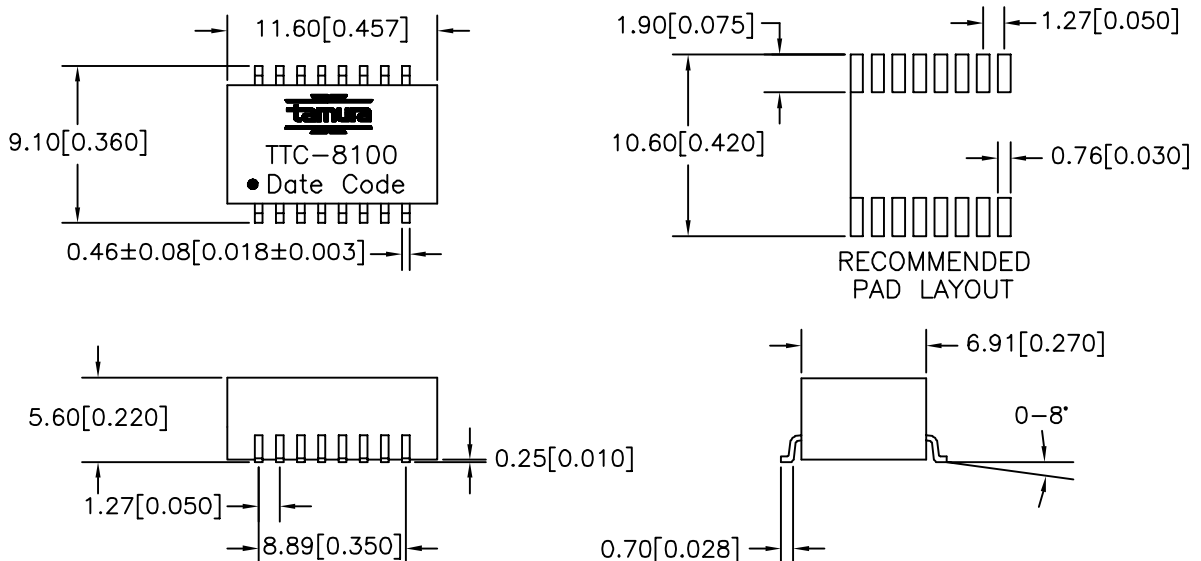
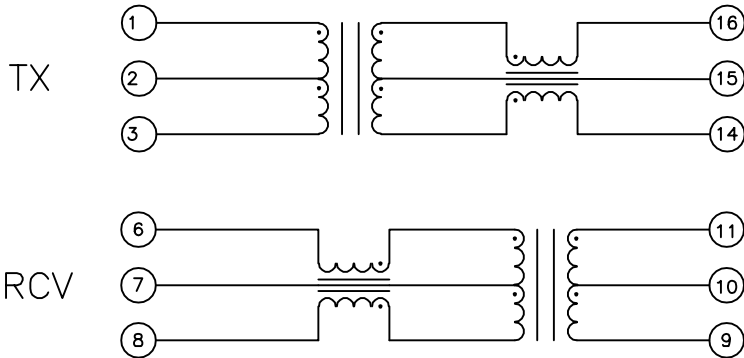
10/100 Base-T LAN Magnetic Module Single Port, 16 pin SOIC

MODEL NUMBER
TTC-8100

- Complies with IEEE 802.3 Standard
- Surface Mount Device withstands IR reflow profile process
- Operating temperature: 0°C to 70°C
- Enhanced Common Mode Attenuation



Electrical Specification @ 25°C							
Insertion Loss (dB Max)	Return Loss (dB Min)			CMRR (dB Min)	Crosstalk (dB Min)	OCL (μH Min)	Hipot (Vrms)
0.1-100 MHz	0.1-30 MHz	60 MHz	80 MHz	0.1-100 MHz	0.1-100 MHz	8mA DC Bias	1 minute
-1	-18	-14	-12	-35	-35	350	1500



PREPARED BY:

D. Rund

ENGINEER:

L. Le

QUALITY CONTROL:

APPROVED:

J. Coleman

NOTE: Unless otherwise specified, all dimensions are mm[in] with tolerance of ±0.25[0.010]

DWG CONTROL NO. P-A1-12622 ACAD\TTC\A1126221.DWG	REV PR2	10/100 Base-X LAN Magnetic Module Single Port, 16 pin SOIC	TTC-8100	
CONTENTS OF THIS DRAWING ARE SUBJECT TO CHANGE WITHOUT PRIOR NOTICE		TAMURA CORPORATION OF AMERICA 43352 BUSINESS PARK DRIVE, TEMECULA, CA. 92590-6624 (909) 699-1270 FAX 9096769482	MODEL SPECIFICATION	
		DIM: mm(in)	SCL: none	SH: 1 OF 1

PROPRIETARY NOTICE: THIS DRAWING PRINT OR DOCUMENT AND SUBJECT MATTER DISCLOSED HEREIN ARE PROPRIETARY ITEMS TO WHICH TAMURA RETAINS THE EXCLUSIVE RIGHT OF DISSEMINATION, REPRODUCTION, MANUFACTURE AND SALE. THIS DRAWING, PRINT OR DOCUMENT IS SUBMITTED IN CONFIDENCE FOR CONSIDERATION BY THE RECIPIENT ALONE UNLESS PERMISSION FOR FURTHER DISCLOSURE IS EXPRESSLY GRANTED IN WRITING.