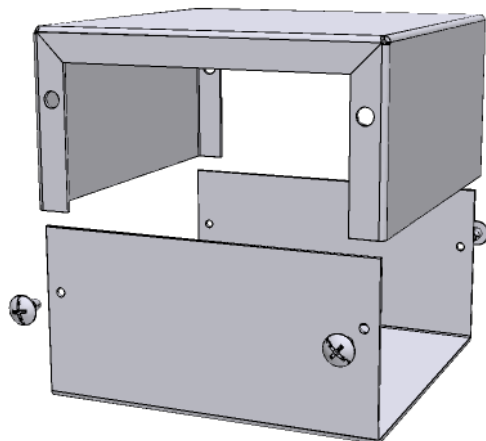


ASSEMBLY - VIEW FROM SIDE (OPEN)

SECTION FF-FF



- ASA 61 GREY STEEL BODY - 1412J
- 0.040" THICK 20 GAUGE STEEL PANELS
- FOUR 6-32 NICKEL PLATED SCREWS
- FOUR SELF ADHESIVE RUBBER FEET

Contact Factory [mjm@hammondmfg.com](mailto:mjm@hammondmfg.com) for quotes  
 Enclosures can be Factory Modified ( Milling, Drilling, Printing etc. )  
 Solid models of this enclosure available in STEP or IGES.



**HAMMOND  
 MANUFACTURING™**

**1412J**

[www.hammondmfg.com](http://www.hammondmfg.com)