

Device connector, front mounting - SB-8ESSD8AA700S - 1623720

Please be informed that the data shown in this PDF Document is generated from our Online Catalog. Please find the complete data in the user's documentation. Our General Terms of Use for Downloads are valid (<http://phoenixcontact.com/download>)




Device connector for front wall, angled rotatable, shielded: yes, SPEEDCON, M40, type of contact: Socket, Crimp connection, Axial O-ring, 4x Ø4,2

Why buy this product

- ✓ Easy connection, thanks to infinitely adjustable cable outlet direction up to 310°
- ✓ All housing can be fitted with pin or socket contacts
- ✓ A total of eight contacts are available for signal transmission
- ✓ Reduced connection time with SPEEDCON fast locking system
- ✓ Safe use in the field, thanks to high degree of protection
- ✓ Consistent EMC protection for reliable connection solutions in the industrial environment

Key Commercial Data

| | |
|--------------|---------------------------------------------------------------------------------------------------------|
| Packing unit | 1 STK |
| GTIN |  4 055626 194899 |
| GTIN | 4055626194899 |

Technical data

Temperature range

| | |
|---------------------------------|-------------------|
| Ambient temperature (operation) | -40 °C ... 130 °C |
|---------------------------------|-------------------|

Data of the insulating body

| | |
|------------------------------------------------|--------------------|
| Contact connection method | Crimp connection |
| Type of contacts | Socket |
| Application | Hybrid |
| Number of positions | 13 |
| Contact diameter of power contacts | 3.6 mm |
| Litz wire cross section of power contacts min. | 1 mm ² |
| Litz wire cross section of power contacts max. | 10 mm ² |
| Nominal current per power contact at 25°C | 70 A |

Device connector, front mounting - SB-8ESSD8AA700S - 1623720

Technical data

Data of the insulating body

| | |
|-------------------------------------------------|----------------------|
| Nominal voltage, power contact | 630 V AC |
| | 850 V DC |
| Rated surge voltage | 6 kV |
| Contact diameter of signal contacts | 1 mm |
| Litz wire cross section of signal contacts min. | 0.06 mm ² |
| Litz wire cross section of signal contacts max. | 1.5 mm ² |
| Nominal current per signal contact at 25°C | 8 A |
| Nominal voltage, signal contact | 500 V |
| Rated surge voltage | 1.5 kV |
| Contact diameter, data contacts | 1 mm |
| Litz wire cross section, data contacts, min. | 0.06 mm ² |
| Litz wire cross section, data contacts, max. | 1.5 mm ² |
| Nominal current per data contact at 25°C | 8 A |
| Nominal voltage of data contact | 50 V |
| Rated surge voltage | 1.5 kV |
| Overvoltage category | III |
| Degree of pollution | 3 |

Housing data

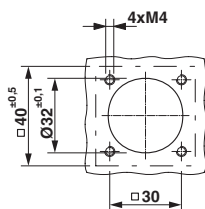
| | |
|----------------------------------------|----------------------------------------------------------------------|
| Housing material | Turned parts: copper zinc alloy (CuZn), die-cast parts: zinc (GD-Zn) |
| Type of locking | SPEEDCON |
| Degree of protection (when plugged in) | IP68/IP69K |
| Thread type | M40 |

Environmental Product Compliance

| | |
|------------|-----------------------------------------------------------------------------------------------------|
| REACH SVHC | Lead 7439-92-1 |
| China RoHS | Environmentally Friendly Use Period = 50 |
| | For details about hazardous substances go to tab "Downloads", Category "Manufacturer's declaration" |

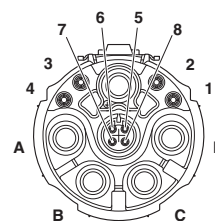
Drawings

Dimensional drawing



Installation dimensions

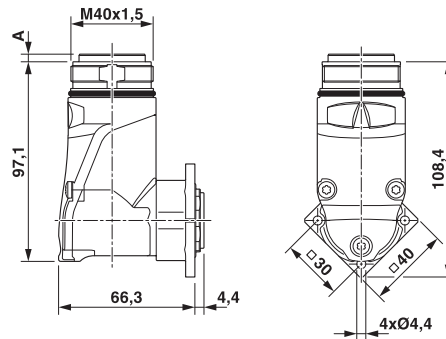
Schematic diagram



Pin assignment of socket signal, DC coding

Device connector, front mounting - SB-8ESSD8AA700S - 1623720

Dimensional drawing



Pin version: dimension A = 3.7 mm, socket version: dimension A = 0.05 mm

Phoenix Contact 2018 © - all rights reserved
<http://www.phoenixcontact.com>

PHOENIX CONTACT GmbH & Co. KG
Flachsmarktstr. 8
32825 Blomberg
Germany
Tel. +49 5235 300
Fax +49 5235 3 41200
<http://www.phoenixcontact.com>