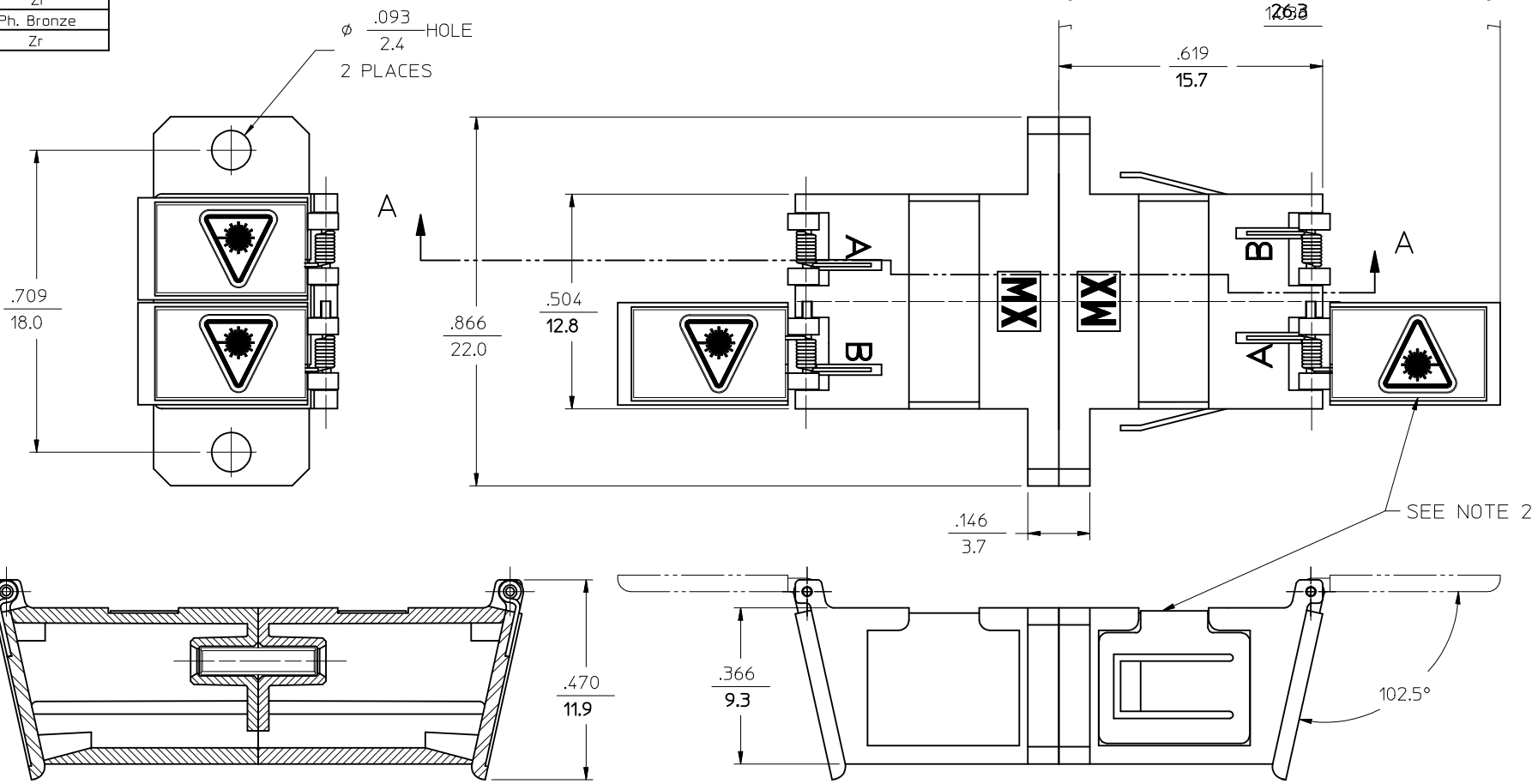


10	9	8	7	6	5	4	3	2	1
LC ADAPTER ASSY. P/N	COLOR	LC SLEEVE MATERIAL							
106128-1300	BLUE	Zr							
106128-0310	BEIGE	Ph. Bronze							
106128-1350	GREEN	Zr							

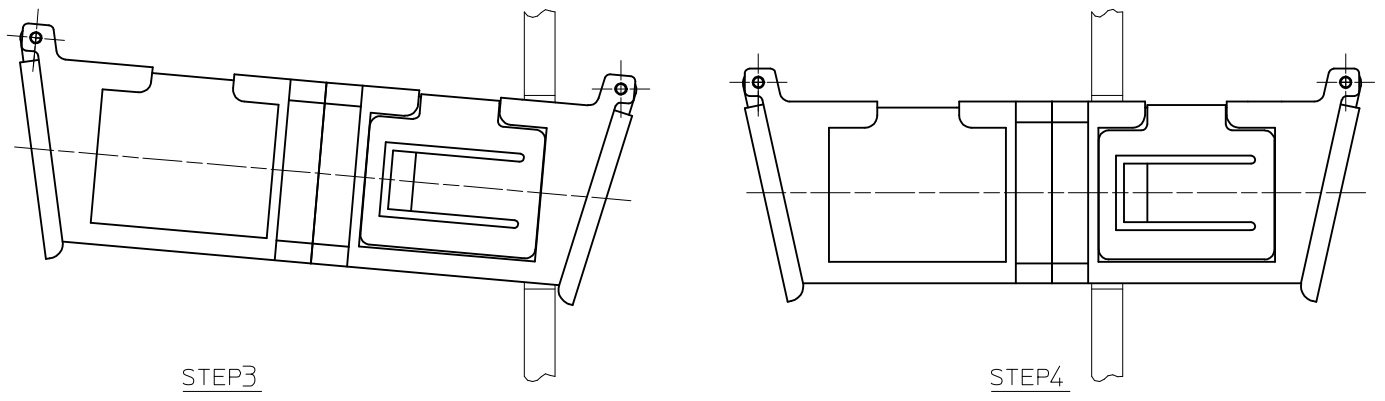
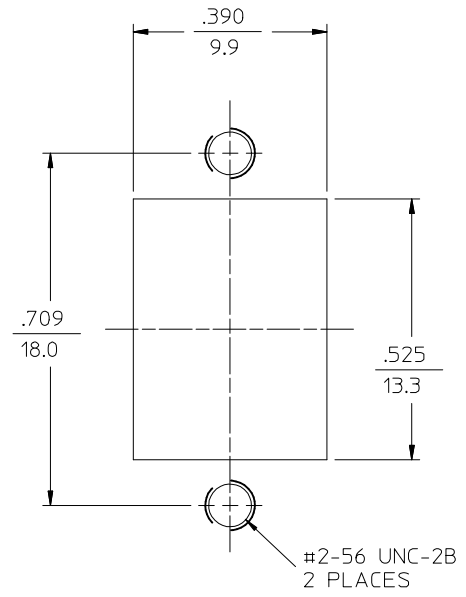
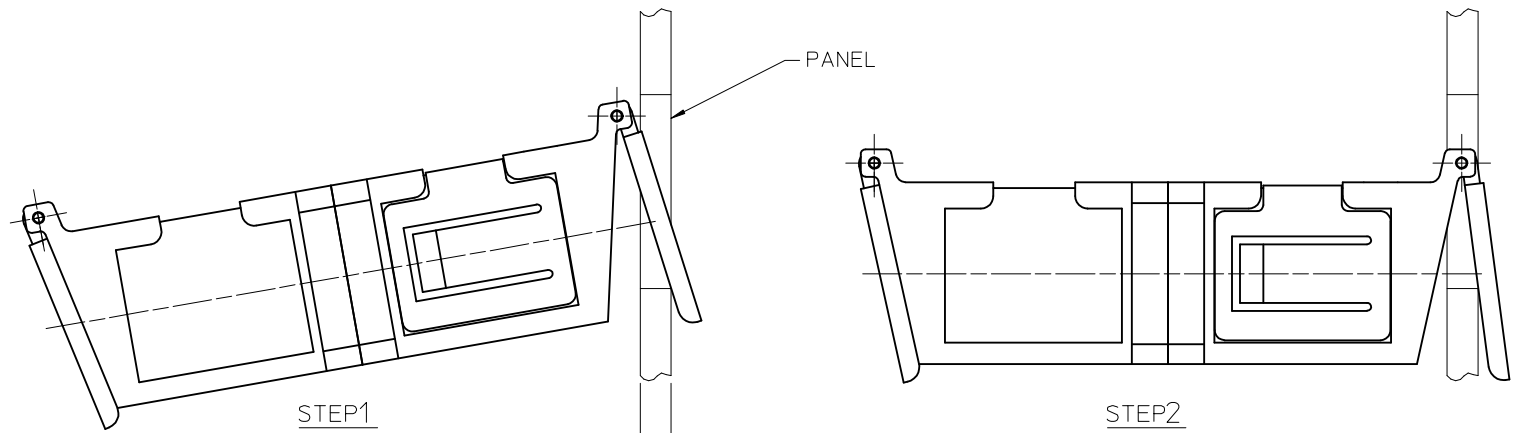


SECTION A-A

NOTES:
 1. ALL DIMENSIONS ARE FOR REFERENCE ONLY.
 2. MOUNTING PLATE AND LABELS ARE NOT ASSEMBLED. THEY ARE PACKAGED WITH ADAPTER INTO POLY BAG.

ENTER DESCRIPTION EC NO: MF2009-0243 DRW:MKPEVZNER CHKD: 2008/12/04 APPR: LGUMIN 2008/12/05 A1	QUALITY SYMBOLS	GENERAL TOLERANCES (UNLESS SPECIFIED)	DIMENSION STYLE	SCALE	DESIGN UNITS	THIRD ANGLE PROJECTION															
	$\nabla=0$ $\sphericalangle=0$	<table border="1"> <tr> <th></th> <th>mm</th> <th>INCH</th> </tr> <tr> <td>4 PLACES</td> <td>\pm---</td> <td>\pm---</td> </tr> <tr> <td>3 PLACES</td> <td>\pm---</td> <td>\pm---</td> </tr> <tr> <td>2 PLACES</td> <td>\pm---</td> <td>\pm---</td> </tr> <tr> <td>1 PLACE</td> <td>\pm---</td> <td>\pm---</td> </tr> </table>		mm	INCH	4 PLACES	\pm ---	\pm ---	3 PLACES	\pm ---	\pm ---	2 PLACES	\pm ---	\pm ---	1 PLACE	\pm ---	\pm ---	IN/MM	1:1	INCH	
		mm	INCH																		
	4 PLACES	\pm ---	\pm ---																		
3 PLACES	\pm ---	\pm ---																			
2 PLACES	\pm ---	\pm ---																			
1 PLACE	\pm ---	\pm ---																			
DRAFT WHERE APPLICABLE MUST REMAIN WITHIN DIMENSIONS	DRAWN BY: PGIBLIN DATE: 2005/10/05 CHECKED BY: _____ DATE: _____ APPROVED BY: _____ DATE: _____	MATERIAL NO.	TITLE																		
REV	DESCRIPTION	ANGULAR $\pm 1/2^\circ$	SEE TABLE	LC DX. ADAP. 2 SIDES W/ SHUT. (ST. FL./SC FT.)																	
			SD-106128-X3X0	MOLEX INCORPORATED																	
				THIS DRAWING CONTAINS INFORMATION THAT IS PROPRIETARY TO MOLEX INCORPORATED AND SHOULD NOT BE USED WITHOUT WRITTEN PERMISSION																	

10 9 8 7 6 5 4 3 2 1



RECOMMENDED MOUNTING CUTOUT
FOR $\frac{.063}{1.6}$ THICK PANEL

ENTER DESCRIPTION EC NO: MF2009-0243 DR: MANKPEVNER CHKD: 2008/12/04 APPR: LGUMIN 2008/12/05 REV A1	QUALITY SYMBOLS ▽=0 ▽=0	GENERAL TOLERANCES (UNLESS SPECIFIED)		DIMENSION STYLE IN/MM	SCALE 1:1	DESIGN UNITS INCH	THIRD ANGLE PROJECTION	
		4 PLACES ± --- ± --- 3 PLACES ± --- ± --- 2 PLACES ± --- ± --- 1 PLACE ± --- ± ---	mm INCH	DRAWN BY DATE PGIBLIN 2005/10/05	TITLE LC DX. ADAP. 2 SIDES W/ SHUT. (ST. FL./SC FT.)	MOLEX INCORPORATED		
		ANGULAR ±1/2°	CHECKED BY DATE	APPROVED BY DATE				
		DRAFT WHERE APPLICABLE MUST REMAIN WITHIN DIMENSIONS	MATERIAL NO. SEE TABLE	DOCUMENT NO. SD-106128-X3X0	SHEET NO. 2 OF 02			

9 8 7 6 5 4 3 2 1