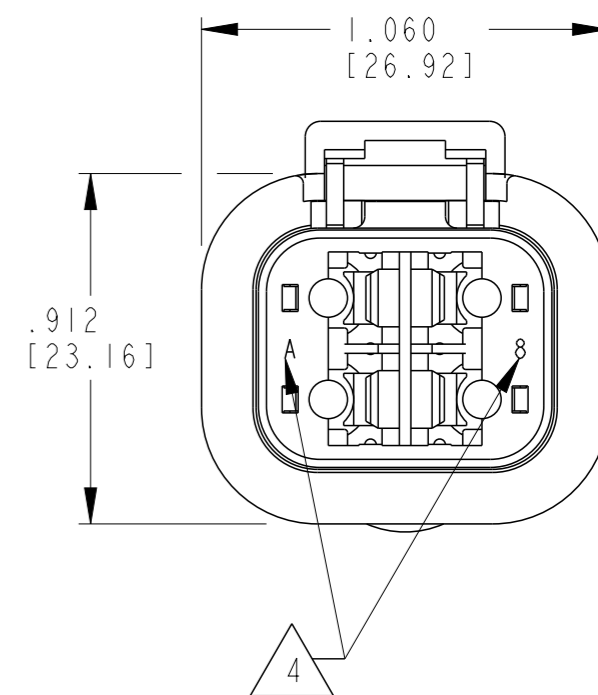
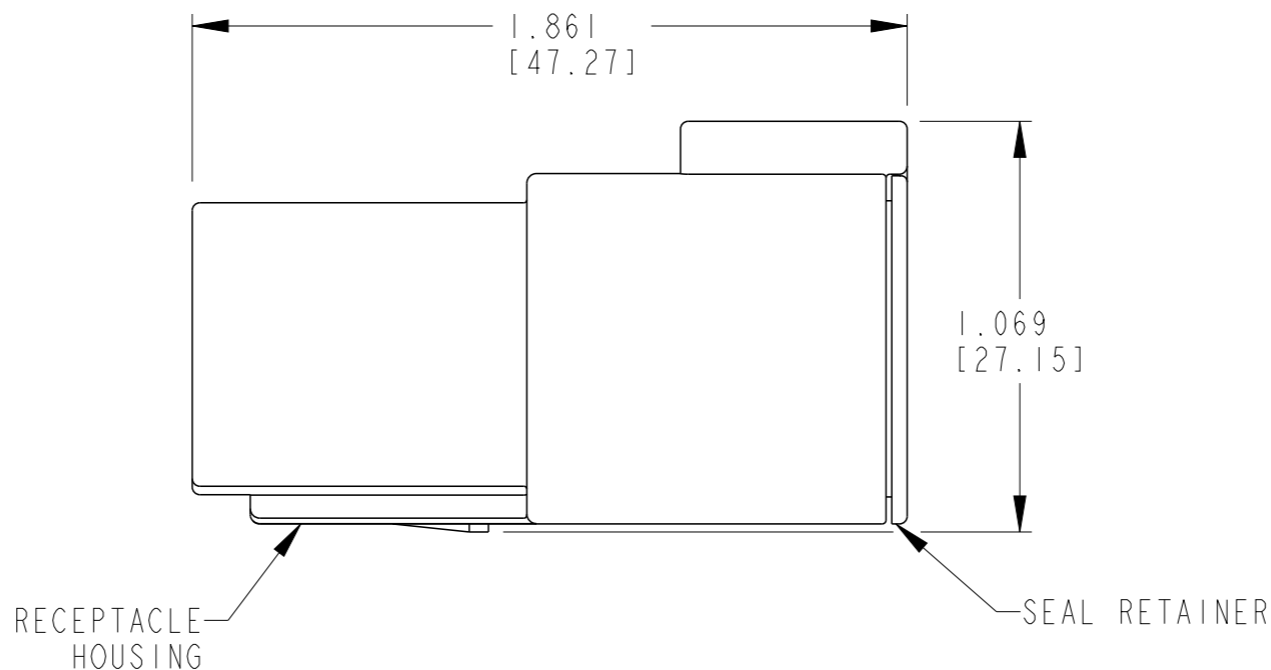
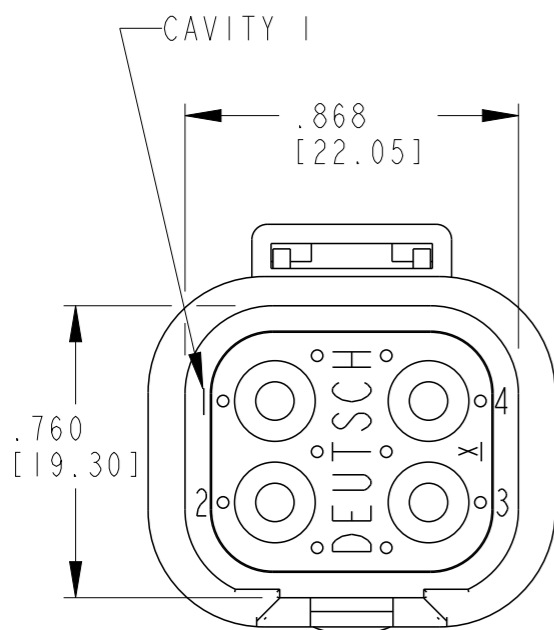


THIS DRAWING IS UNPUBLISHED. RELEASED FOR PUBLICATION 2015. © COPYRIGHT 2015 BY - TE CONNECTIVITY ALL RIGHTS RESERVED.

| LOC | DIST | REVISIONS   |                             |           |        |
|-----|------|-------------|-----------------------------|-----------|--------|
| P   | LTR  | DESCRIPTION | DATE                        | DWN       | APVD   |
| -   | -    | NC          | NEW RELEASE PER E.O. PI6220 | 05AUG1999 | - RDR  |
|     |      | A           | REVISED PER E.O. PI7224     | 13APR2001 | - RDR  |
|     |      | B           | REVISED PER E.O. PI7309     | 14JUN2001 | - RDR  |
|     |      | C           | REVISED PER ECO-15-003592   | 09APR2015 | VNB DM |



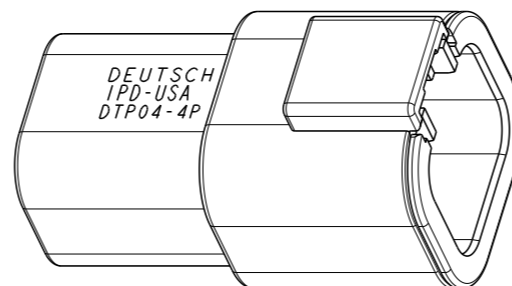
4. DATE CODE: MONTH IS REPRESENTED BY SEQUENTIAL ALPHA CHARACTERS. EX: A=JANUARY. YEAR IS REPRESENTED BY THE LAST DIGIT. EX: 8=2008

3. THE RECEPTACLE MATES WITH DTP06-4S-XXXX PLUG (XXXX = ALL MODIFICATIONS)

2. MATERIAL:  
 RECEPTACLE: PA66 GF15 (BLACK)  
 SEAL RETAINER: PA66 GF15 (BLACK)  
 INTERFACE SEAL: SILICONE, PHENYL FLUID LUBED (GREEN)

1. SECONDARY WEDGE LOCK SOLD SEPARATELY: WP-4P-XXXX (XXXX = ALL MODIFICATIONS)

NOTES: UNLESS OTHERWISE SPECIFIED



| CONTACT SIZE | MIN. INSUL. O.D. | MAX INSUL. O.D. | WIRE RANGE [mm <sup>2</sup> ] REF ONLY |
|--------------|------------------|-----------------|--|
| 12           | .134 [3.40]      | .170 [4.32]     | 10-14 AWG [5.0-2.0]                    |

|  |  |                                |  |                 |                           |                 |
|--|--|--------------------------------|--|-----------------|---------------------------|-----------------|
| THIS DRAWING IS A CONTROLLED DOCUMENT. |  | DWN D. MEYER 30JUL1999         | <b>TE</b> TE Connectivity                      |                 |                           |                 |
| DIMENSIONS: INCHES [mm]                |  | CHK S. THEIS 03AUG1999         |  |                 |                           |                 |
| TOLERANCES UNLESS OTHERWISE SPECIFIED: |  | APVD R. REED 05AUG1999         | NAME RECEPTACLE 4 CONTACTS, SIZE 12 DTP SERIES |                 |                           |                 |
| 0 PLC ± -                              |  | PRODUCT SPEC -                 |  |                 |                           |                 |
| 1 PLC ± -                              |  | APPLICATION SPEC 0425-015-0000 | SIZE A3  | CAGE CODE 4AFU8 | DRAWING NO. DTP04-4P-E004 | RESTRICTED TO - |
| 2 PLC ± -                              |  | WEIGHT 17.6g                   | SCALE 2:1                                      |                 | SHEET 1 OF 1              | REV C           |
| 3 PLC ± 0.025 [0.64]                   |  | Customer Drawing               |  |                 |                           |                 |
| 4 PLC ± -                              |  |                                |  |                 |                           |                 |
| ANGLES ± -                             |  |                                |  |                 |                           |                 |
| FINISH -                               |  |                                |  |                 |                           |                 |