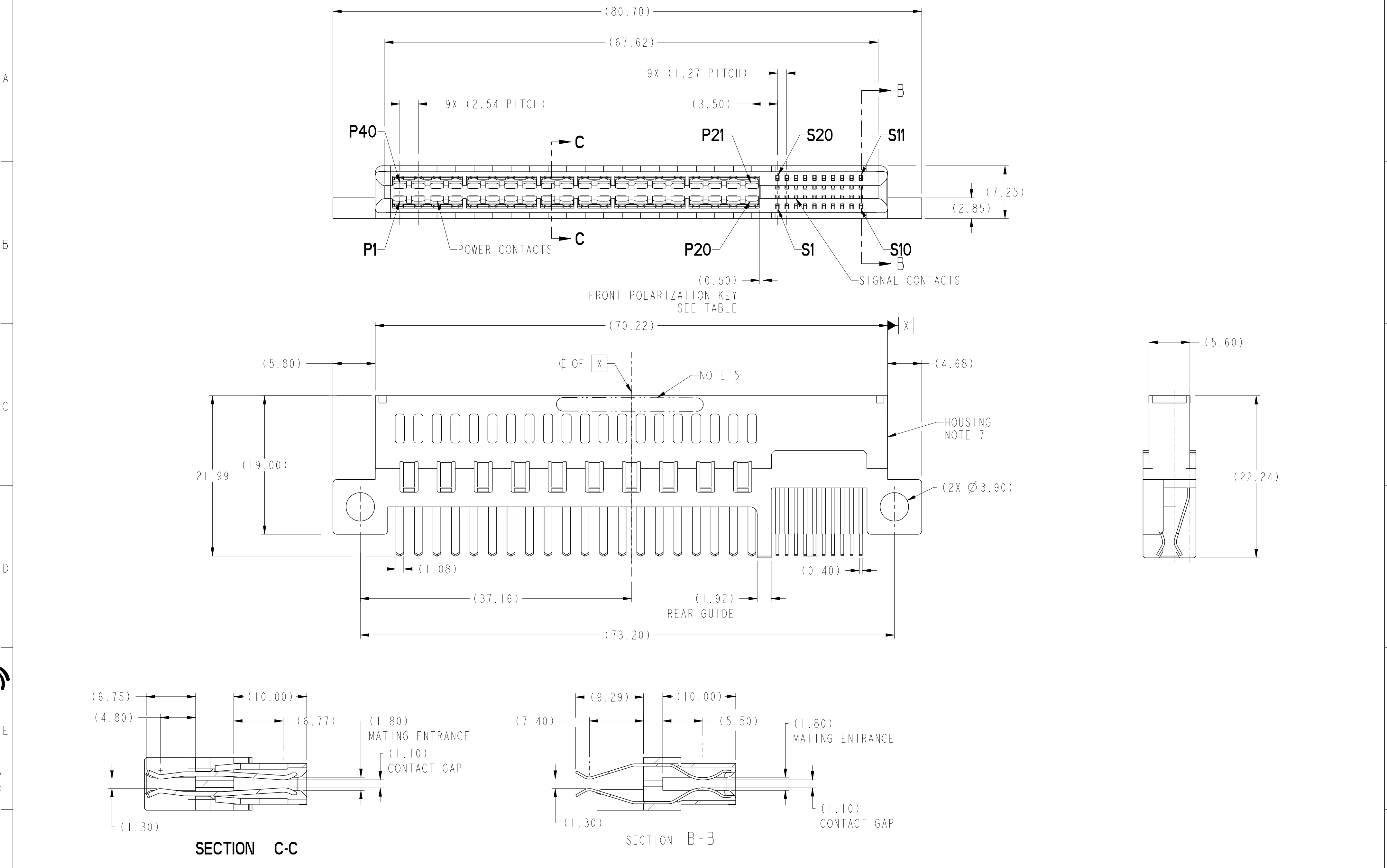


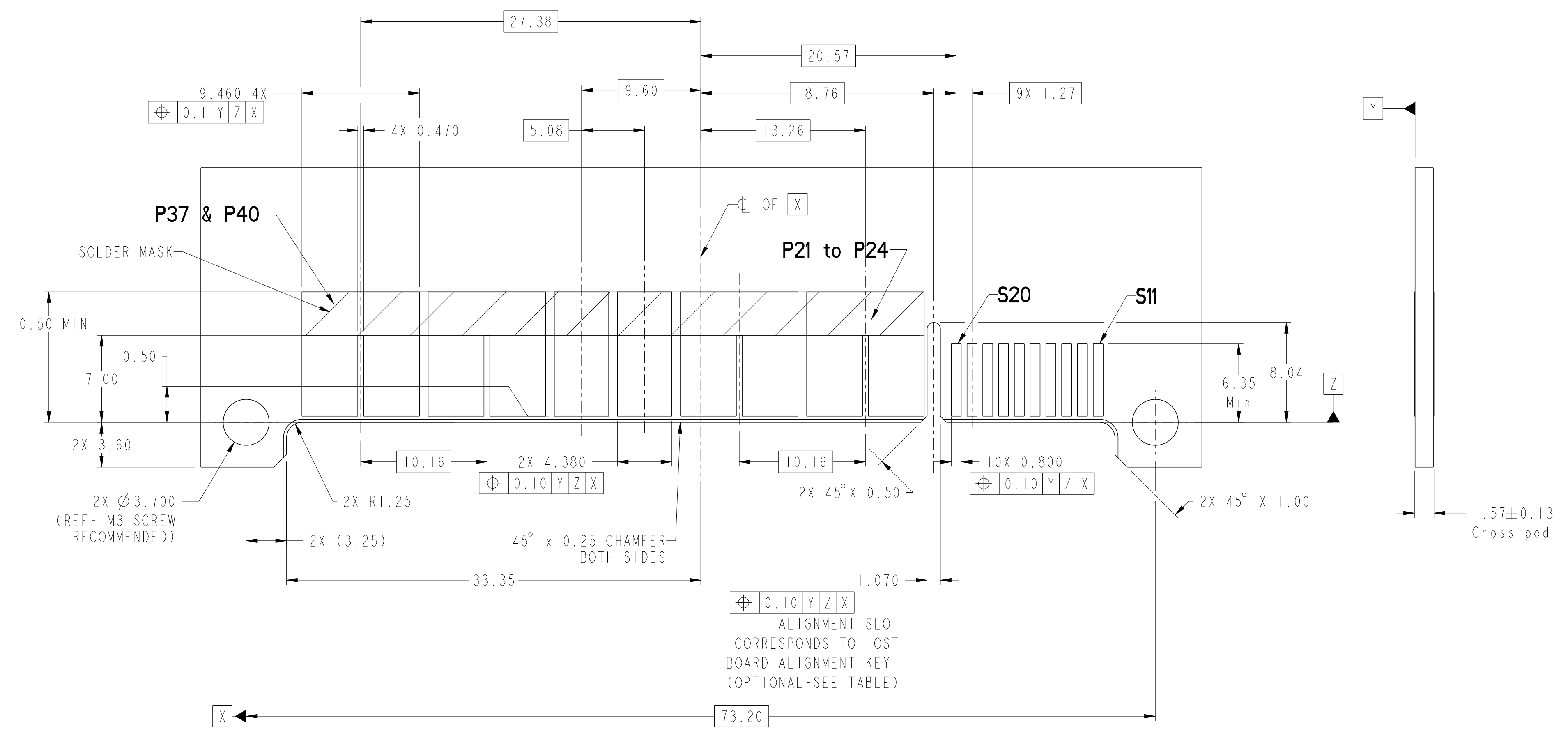
FCI CONFIDENTIAL



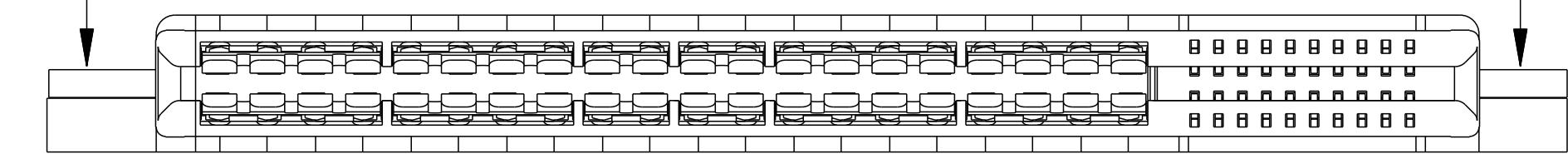
This document is the property of and embodies CONFIDENTIAL and PROPRIETARY information of FCI. No part of the information shown on this document may be used in any way or disclosed to others without the written consent of FCI. Copyright FCI.

rev	ecn no	dr	date	TOLERANCES UNLESS OTHERWISE SPECIFIED linear X, ± 0.X ±0.3 0.XX ±0.10 0.XXX ±0.050 0.XXXX ± angular 0° ±2°	tolerance std ASME Y14.5 surface ASME Y14.5	material	-	dr	Wei-Long Zhang	2012/04/27	projection	MM	size	A2	scale	3:1		
A		HZ	2012-05-31					mat code	-	eng	Wei-Long Zhang	2012/05/31	chr	-	ecn no	-	rel level	Released
-	-	-	-					heat treat	-	chr	-	-	app	Pai-Ming Zheng	2012/05/31	product family	CARD EDGE	
-	-	-	-					plating/finish	-	app	Pai-Ming Zheng	2012/05/31	product family	CARD EDGE	rel level	Released		
-	-	-	-					spec ref	-	model name	-	-	FCI	RECEPTACLE (40P-20S)	HPCE - (STRADDLE MOUNT)	cat. no.	-	Product - Customer Drw
-	-	-	-			model revision	D	model name	-	-	www.fci.com	RECEPTACLE (40P-20S)	HPCE - (STRADDLE MOUNT)	cat. no.	-	Product - Customer Drw	sheet 1 of 4	

FCI CONFIDENTIAL



**RECOMMENDED PCB LAYOUT
AS VIEWED**



dr	Wei-Long Zhang	2012/04/27	projection	MM	size	A2	scale	3:1	
eng	Wei-Long Zhang	2012/05/31			ecn no	-	rel level	Released	
chr	-	-			product family	CARD EDGE			
appr	Pei-Ming Zheng	2012/05/31			title	RECEPTACLE (40P-20S)		dwg no	10120911
www.fci.com			cat. no.		HPCE - (STRADDLE MOUNT)		rev		A
Product - Customer Drw					sheet 2 of 4				

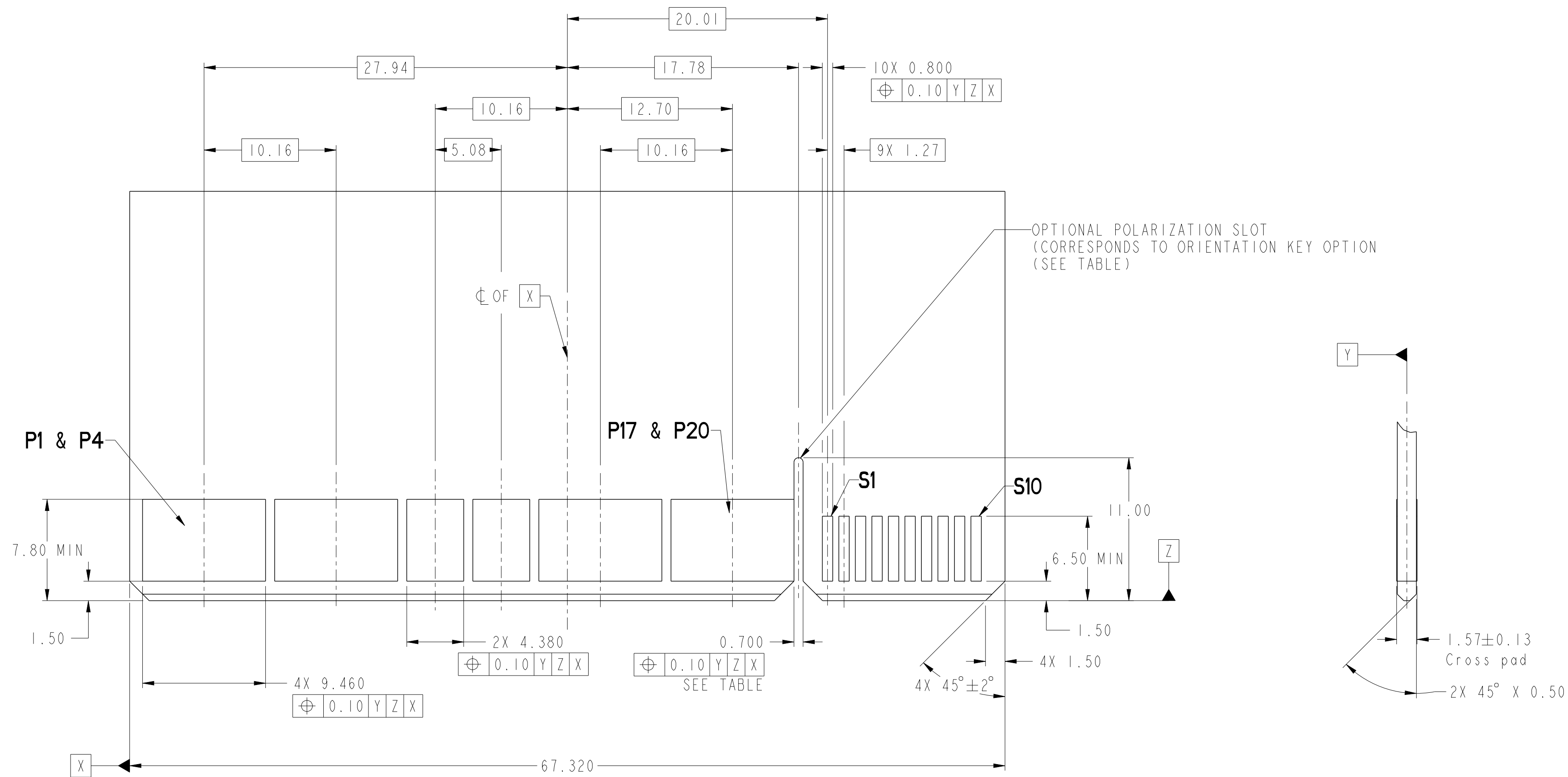
PDS: Rev :A

STATUS:Released

Printed: May 31, 2012

This document is the property of and embodies CONFIDENTIAL and PROPRIETARY information of FCI. No part of the information shown on this document may be used in any way or disclosed to others without the written consent of FCI. Copyright FCI.

FCI CONFIDENTIAL



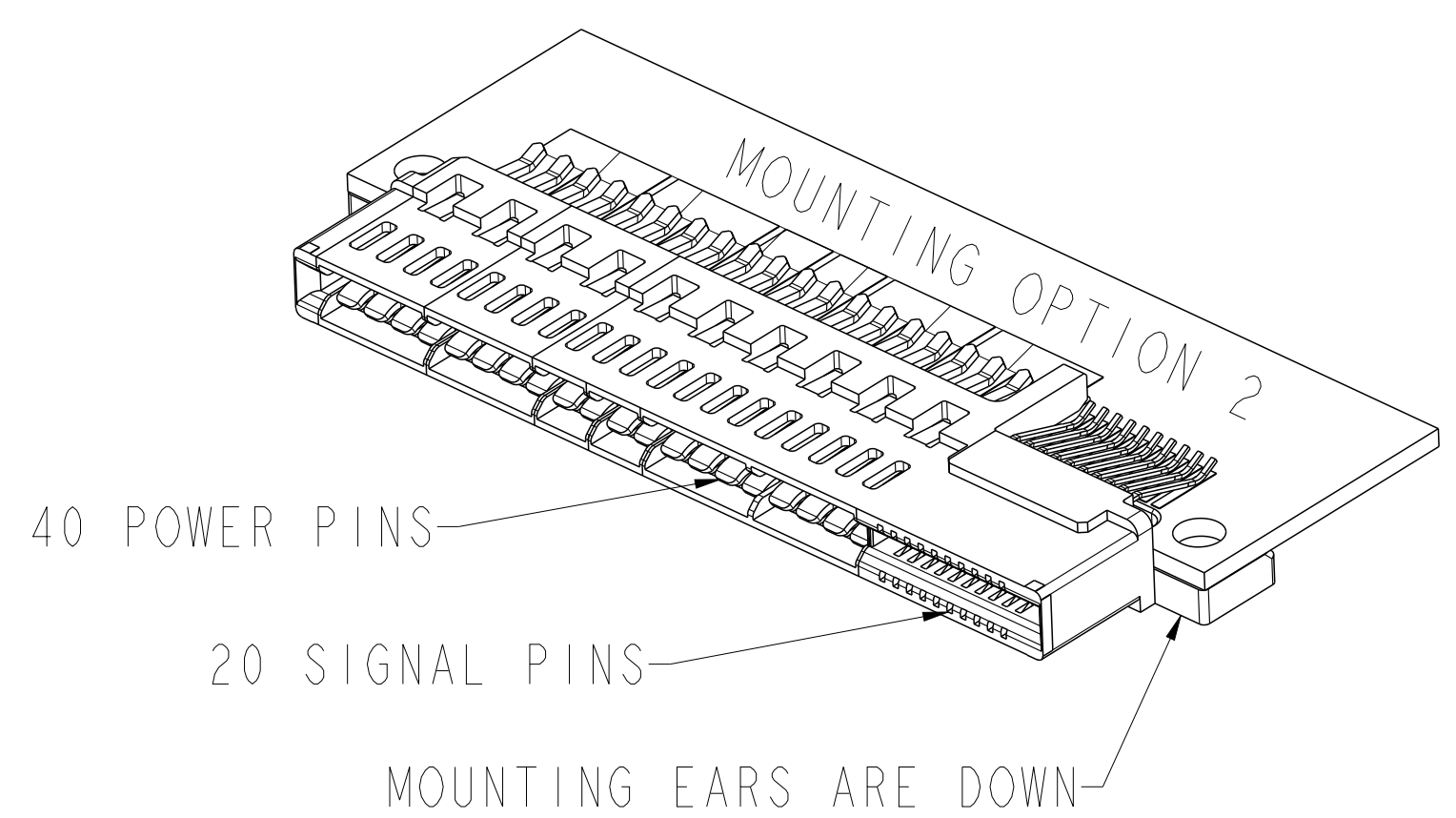
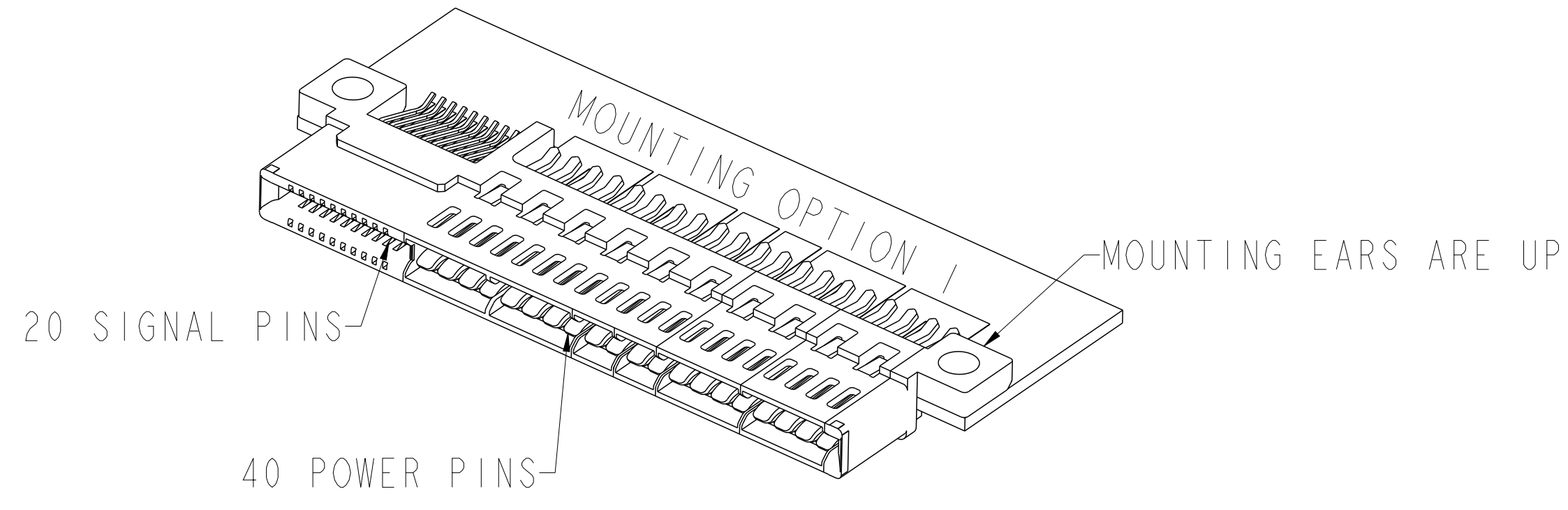
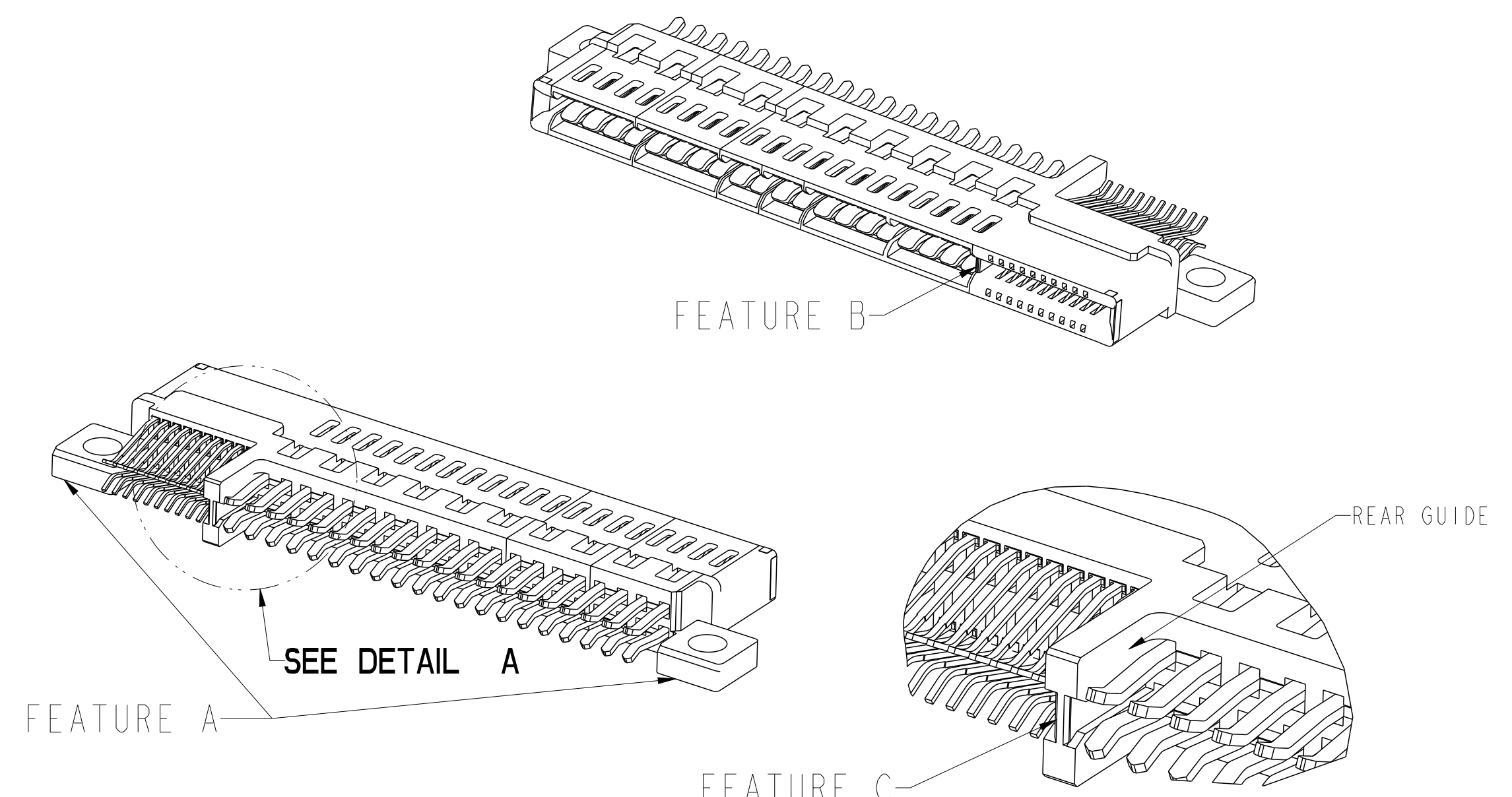
RECOMMENDED MATING BOARD FOOTPRINT

dr	Wei-Long Zhang	2012/04/27	projection	MM	size	A2	scale	4:1
eng	Wei-Long Zhang	2012/05/31			ecn no	-	rel level	Released
chr	-	-						
appr	Pei-Ming Zheng	2012/05/31	product family	CARD EDGE				
		RECEPTACLE (40P-20S) HPCE - (STRADDLE MOUNT)		dwg no 10120911	rev A			
www.fci.com		cat. no.	-		Product - Customer Drw		sheet 3 of 4	

This document is the property of and embodies CONFIDENTIAL and PROPRIETARY information of FCI. No part of the information shown on this document may be used in any way or disclosed to others without the written consent of FCI. Copyright FCI.

FCI CONFIDENTIAL

PART NUMBER	FEATURE C HOST BOARD ALIGNMENT KEY (SEE NOTE 8)	FEATURE A MOUNTING EARS	FEATURE B FRONT POLARIZATION KEY
10120911-001LF	YES	YES	NO
10120911-002LF		YES	YES
10120911-003LF		NO	NO
10120911-004LF		NO	YES
10120911-005LF	NO	YES	NO
10120911-006LF		YES	YES
10120911-007LF		NO	NO
10120911-008LF		NO	YES



- NOTES:
- CONNECTOR MATERIALS:
HOUSING: HIGH TEMPERATURE THERMAL PLASTIC, BLACK
UL 94V-0 COMPLIANT
CONTACTS: HIGH PERFORMANCE COPPER ALLOY.
 - CONTACT FINISH REF. GS-12-604 SECTION 5.2.
 - PRODUCT SPECIFICATION: GS-12-604.
 - APPLICATION SPECIFICATION: GS-20-128.
 - PRODUCT MARKING (FCI - PART NUMBER & DATE CODE) ON HOUSING IN AREA SHOWN.
 - PACKAGING MEETS FCI SPECIFICATION GS-14-937.
 - HOUSING COMPONENT WILL WITHSTAND EXPOSURE TO 260°C PEAK TEMPERATURE FOR 60 SECONDS IN A CONVECTION, INFRA-RED, OR VAPOR PHASE REFLOW OVEN.
 - HOST BOARD ALIGNMENT KEY IS RECOMMENDED TO ENSURE PROPER ALIGNMENT OF SOLDER TAILS WITH HOST BOARD PADS.

dr	Wei-Long Zhang	2012/04/27	projection	MM	size	A2	scale	4:1
eng	Wei-Long Zhang	2012/05/31			ecn no.	-	rel level	Released
chr	-	-			product family	CARD EDGE		
appr	Pei-Ming Zheng	2012/05/31			title	RECEPTACLE (40P-20S)	dwg no.	10120911
			www.fci.com		cat. no.	-	Product - Customer Drw	sheet 4 of 4

This document is the property of and embodies CONFIDENTIAL and PROPRIETARY information of FCI. No part of the information shown on this document may be used in any way or disclosed to others without the written consent of FCI. Copyright FCI.