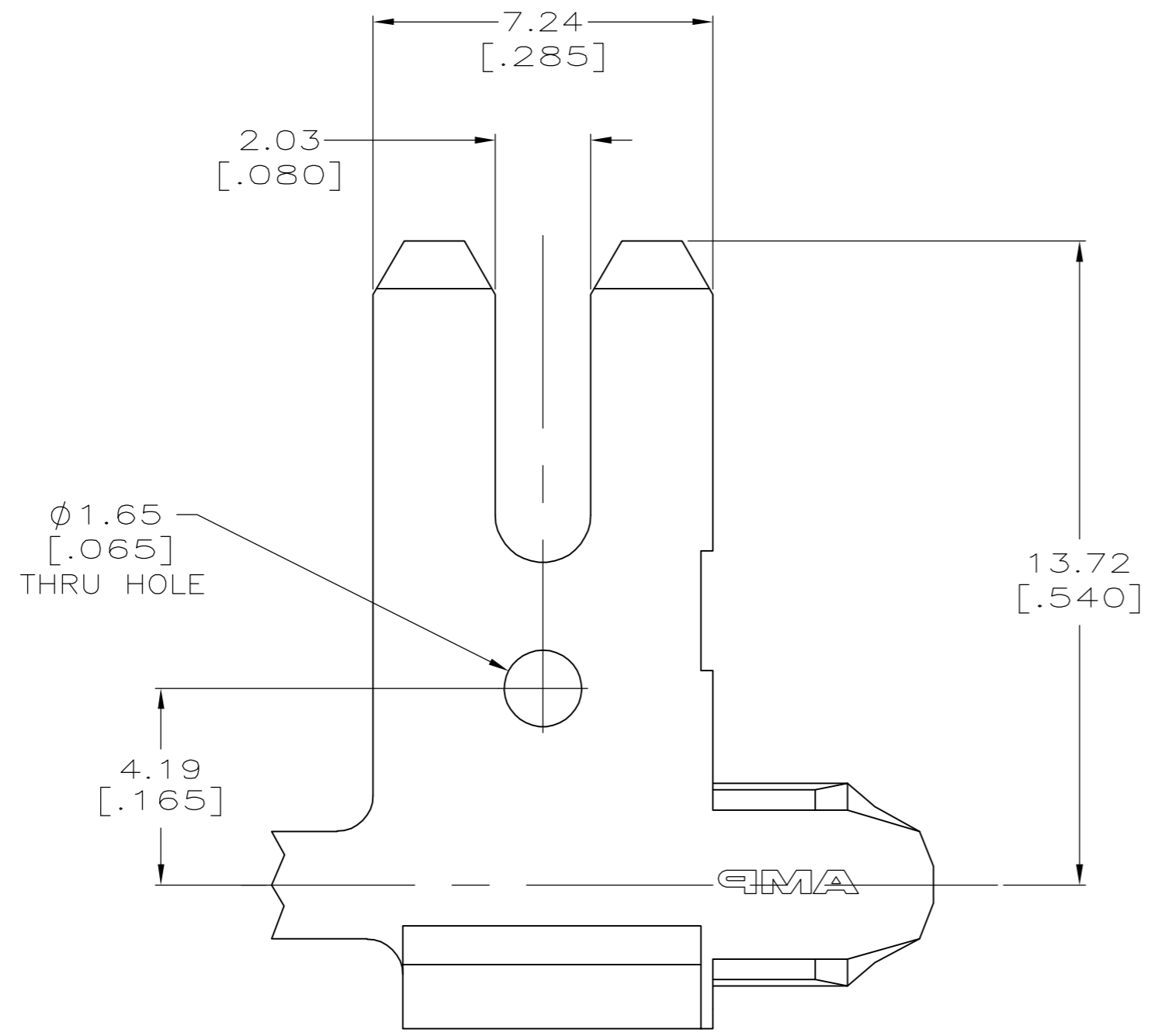
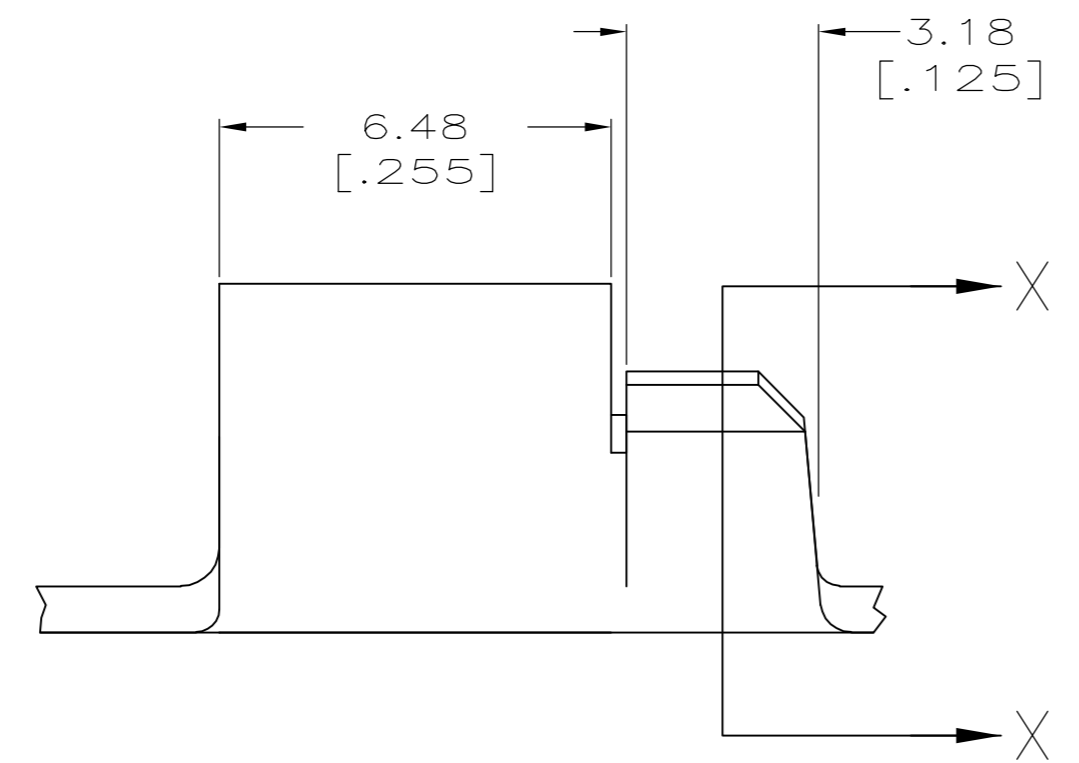
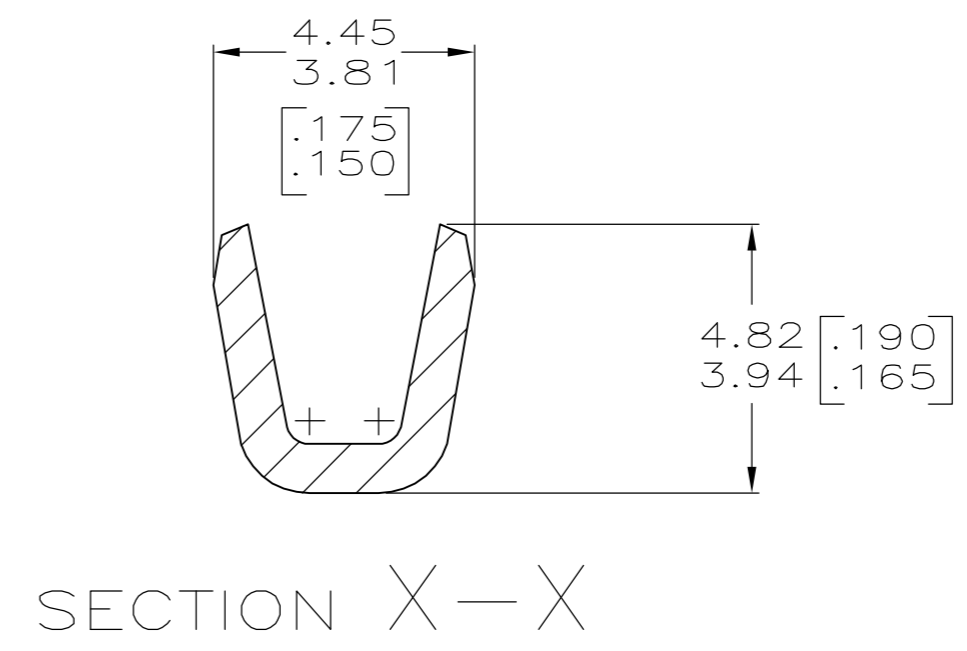


THIS DRAWING IS UNPUBLISHED. RELEASED FOR PUBLICATION
 © COPYRIGHT BY TYCO ELECTRONICS CORPORATION. ALL RIGHTS RESERVED.

LOC	DIST	REVISIONS			
P	LTR	DESCRIPTION	DATE	DWN	APVD
AF	50	B	REVISED MATERIAL PER ECR-06-010520	19JAN07	MF KR



1 CONTINUOUS STRIP ON REELS.
 2 0.002032[.000080] MIN TIN OVER NICKEL UNDERPLATE.



2.03-3.05 [.080-.120] DIA		0.8-2.0mm ² [#18-#14] AWG		1217324-1	
INSULATION RANGE		WIRE SIZE		PART NUMBER	
THIS DRAWING IS A CONTROLLED DOCUMENT.		DWN MICHAEL S. FEHER 07FEB2000	Tyco Electronics Corporation Harrisburg, PA 17105-3608		
DIMENSIONS: mm		CHK KURT A. RANDOLPH 07FEB2000	NAME TAB, POKE-IN, MAG-MATE		
TOLERANCES UNLESS OTHERWISE SPECIFIED:		APVD KURT A. RANDOLPH 07FEB2000	PRODUCT SPEC 108-22045		
0 PLC ± -		APPLICATION SPEC 114-2050		SIZE A2	CAGE CODE 00779
1 PLC ± -		WEIGHT -		DRAWING NO C=1217324	RESTRICTED TO -
2 PLC ± 0.25 [.010]		MATERIAL 082 BRASS		SCALE 8:1	SHEET 1 of 1
3 PLC ± -		FINISH - 2		REV B	
4 PLC ± -		CUSTOMER DRAWING			
ANGLES ± -					

1217324