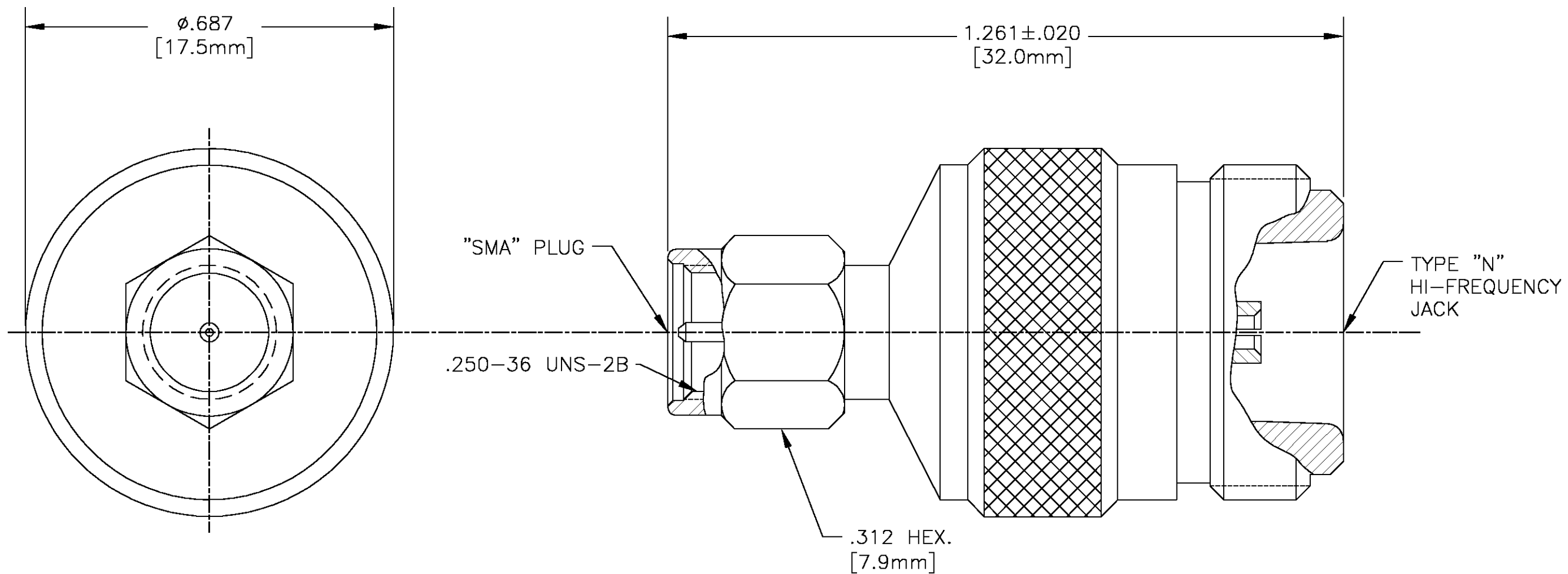


THIS DRAWING IS UNPUBLISHED. RELEASED FOR PUBLICATION
 © COPYRIGHT BY TYCO ELECTRONICS CORPORATION. ALL RIGHTS RESERVED.

LOC	DIST	REVISIONS					
HC	00	P	LTR	DESCRIPTION	DATE	DWN	APVD
			0	RELEASED ON TYCO FORMAT	13MAY03	GV	DC



MATERIAL:

CENTER CONDUCTOR- BERYLLIUM COPPER PER ASTM-B-196, ALLOY C17300, COND H.
 OUTER CONDUCTOR- STAINLESS STEEL PER ASTM-A484 AND ASTM-A582, TYPE 303

DIELECTRIC- PTFE FLOUROCARBON PER ASTM-D-4894

PLATING:

INNER CONDUCTOR- GOLD PER MIL-G-45204
 OUTER CONDUCTOR- PASSIVATED PER QQ-P-35

THIS DRAWING IS A CONTROLLED DOCUMENT.		DWN G. VIERA 12MAY03	tyco Tyco Electronics Corporation Harrisburg, PA 17105-3608	
DIMENSIONS: INCHES		CHK D. CAMELIO 13MAY03	NAME HI-FREQUENCY "N" (18 GHz) JACK TO "SMA" PLUG ADAPTER (3682-2241-00)	
TOLERANCES UNLESS OTHERWISE SPECIFIED: 0 PLC ± - 1 PLC ± - 2 PLC ± - 3 PLC ± .010 4 PLC ± - ANGLES ± 1'0"		APVD D. CAMELIO 13MAY03	RESTRICTED TO	
MATERIAL		PRODUCT SPEC	SIZE A3	
		APPLICATION SPEC	CAGE CODE 00779	DRAWING NO 1058664-1
		WEIGHT	SCALE 5:1	
		CUSTOMER DRAWING	SHEET 1 OF 1	
			REV 0	