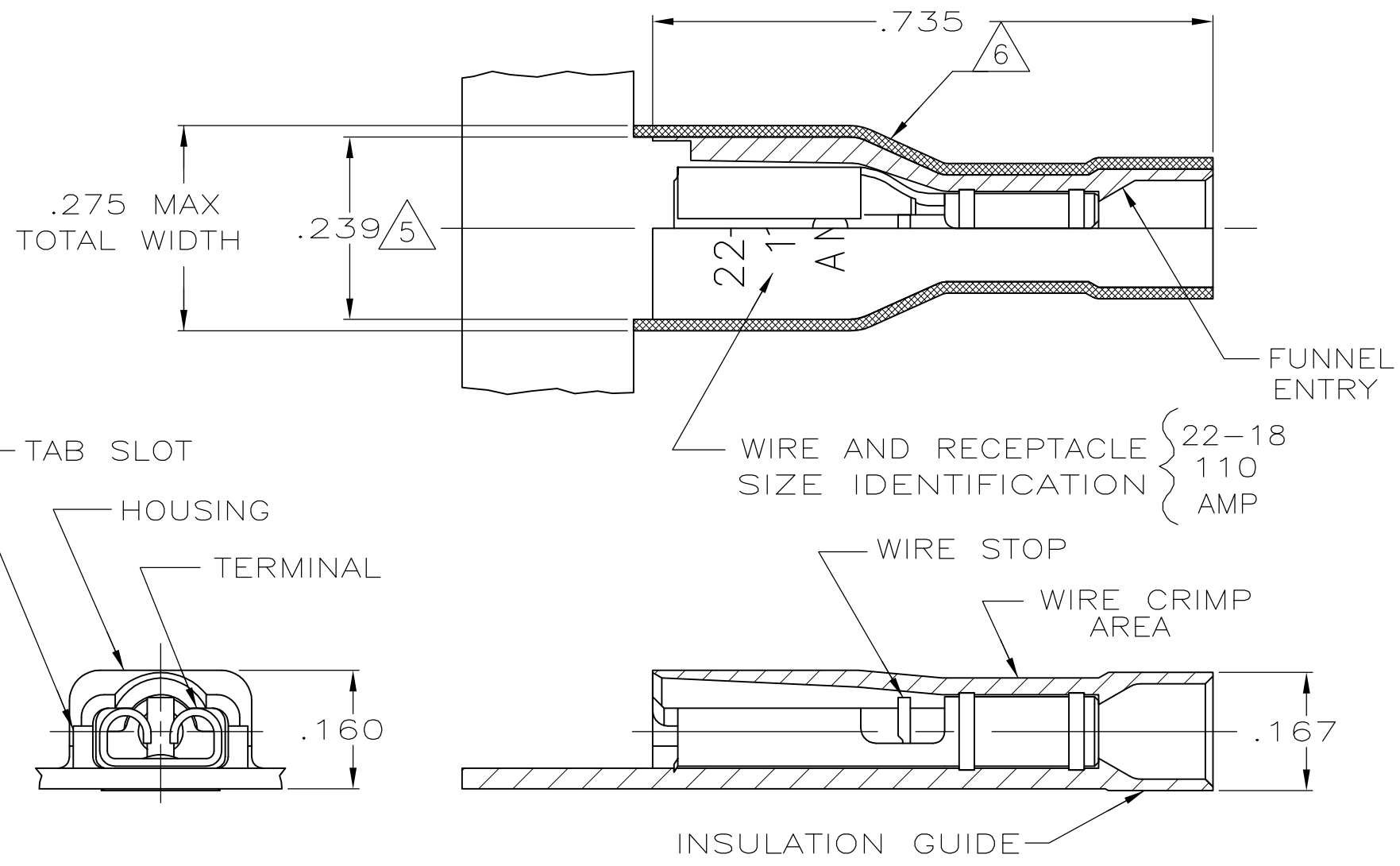


THIS DRAWING IS UNPUBLISHED. RELEASED FOR PUBLICATION
 © COPYRIGHT - By - ALL RIGHTS RESERVED.

LOC	DIST	REVISIONS			
P	LTR	DESCRIPTION	DATE	DWN	APVD
AF	50	U	REVISED PER ECR-12-005303	18JUL12	KH KR

- 1 MATES WITH .020±.001X.110 OR .125 TAB PER NEMA DC-2.
- 2 WIRE STRIP LENGTH .281
- 3 INSULATION SIZE .120 MAX DIA
- 4 CONTINUOUS STRIP ON REELS
- △5 DIMENSION DOES NOT INCLUDE TRIM BURR
- △6 .015 MAX CARRIER TRIM BURR PER SIDE IS ALLOWABLE IN THE SHADED AREA



HOUSING: NYLON, COLOR-RED TRANSLUCENT	2-520083-2
RECEPTACLE: #3 HARD BRASS TIN	
MATERIAL & FINISH	PART NO

THIS DRAWING IS A CONTROLLED DOCUMENT.		DWN P FORTNEY 11/9/88	STE TE Connectivity	
DIMENSIONS: INCHES		CHK MS FEHER 11/9/88		
TOLERANCES UNLESS OTHERWISE SPECIFIED:		APVD TL SHUTTER 11/11/88	NAME RECEPTACLE ASSY, ULTRA-FAST, .110/.125 SERIES, 22-18 AWG	
0 PLC ± -		PRODUCT SPEC 108-2043	SIZE	
1 PLC ± -		APPLICATION SPEC 114-2123	CAGE CODE	DRAWING NO
2 PLC ± -		WEIGHT -	A3	00779
3 PLC ± .015		CUSTOMER DRAWING	C	520083
4 PLC ± -		SCALE	5:1	SHEET
ANGLES ± -		RESTRICTED TO	1	OF 1
FINISH		REV	U	
SEE TABLE				