

# PRODUCT DATASHEET

## ANGELA series

last update 3/11/2016

## DETAILS

Product Number	FCN13568_ANGELA-M
Family	ANGELA
Type	RefPack
Color	metal
Diameter	119,5 mm
Height	80,2 mm
Style	round
Optic Material	
Holder Material	
Fastening	screw
Status	production ready
ROHS Comliant	Yes
Date Updated	3/11/2016

## OPTICAL PROPERTIES

	Viewing	Light	Effi-		
LED	Angle	Beam	ciency	cd/lm	Connector
LUXEON S2000	15 deg	Medium	85 %	4.700	LEDiL: LEDiL

H G F E D C B A

4

3

2

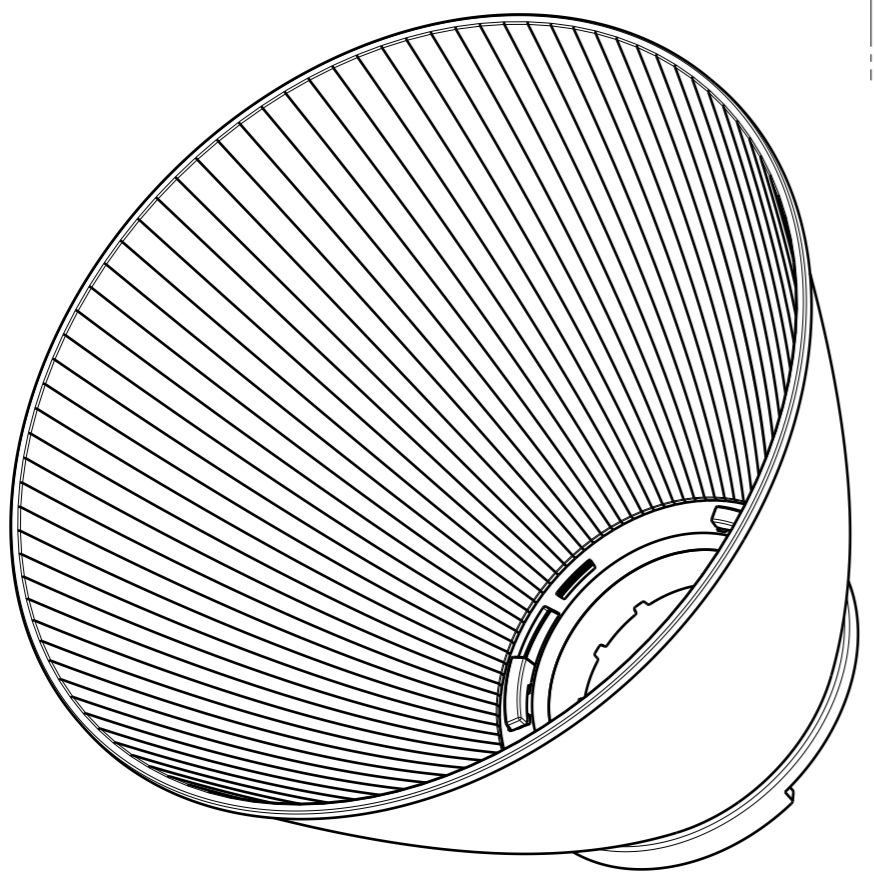
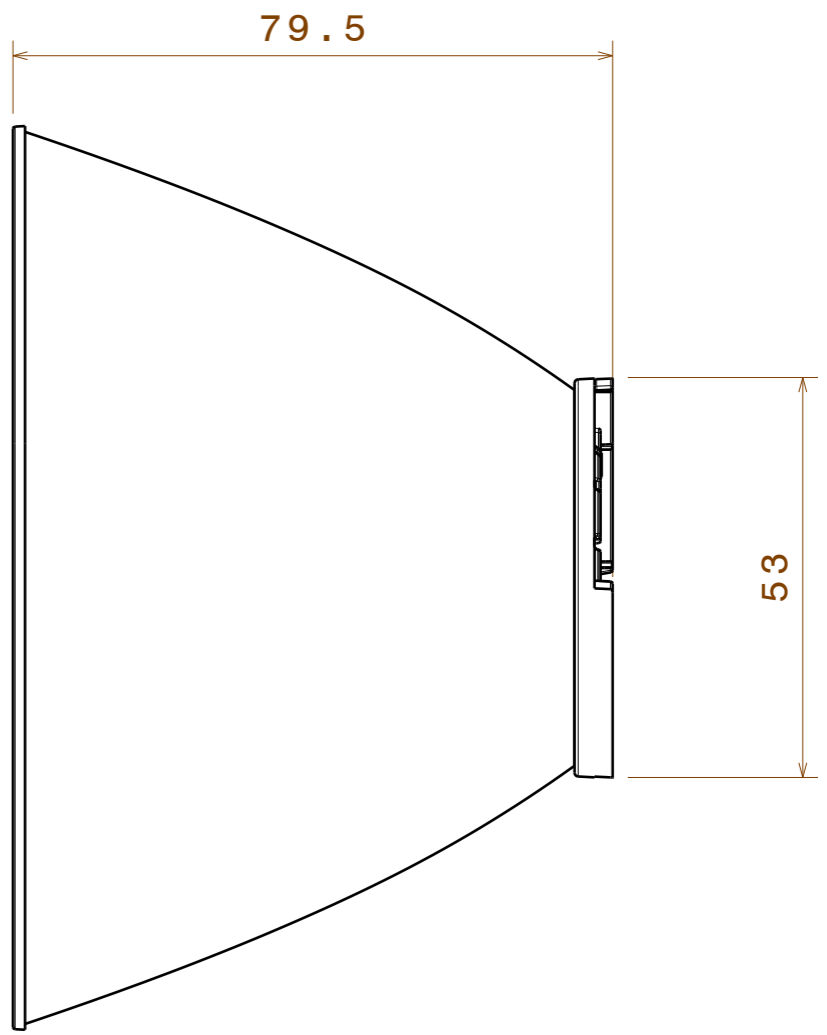
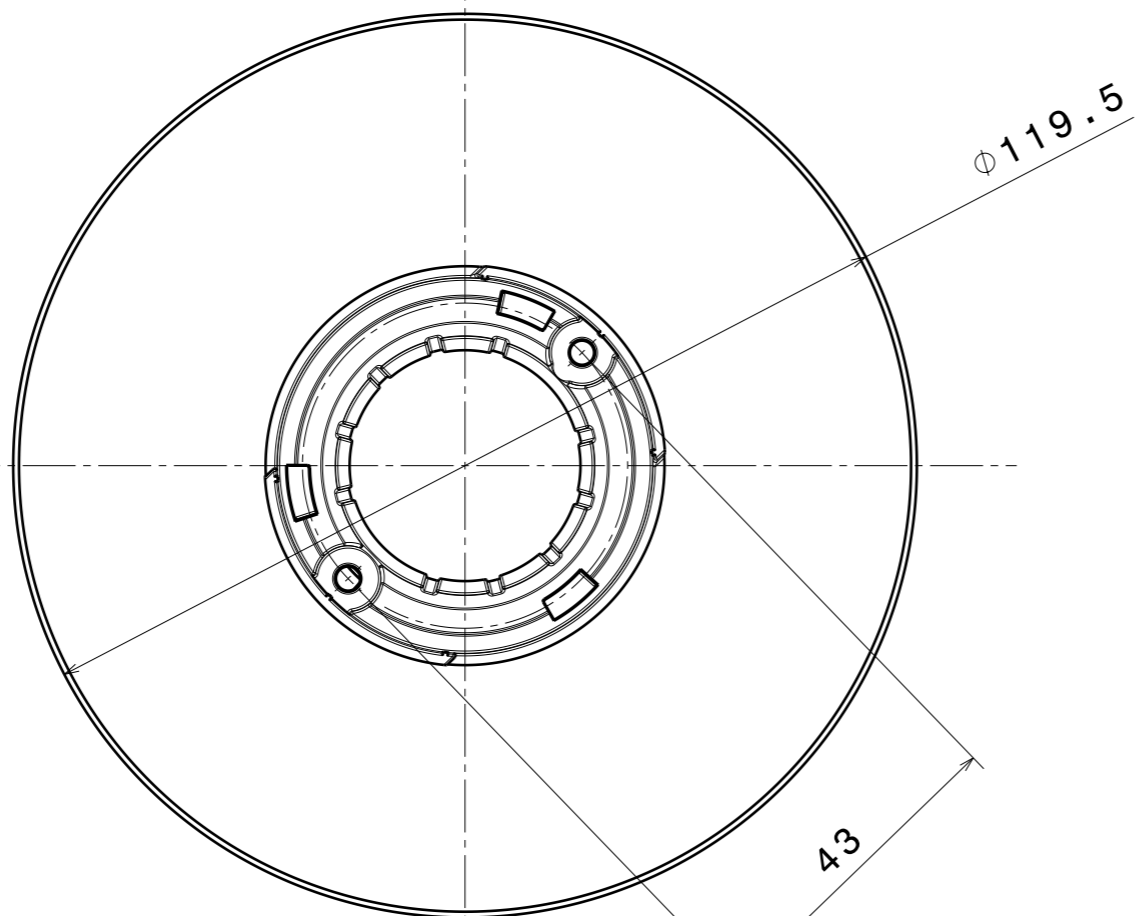
1

4

3

2

1



Tolerances if not otherwise shown  
 According to DIN ISO 2768-1  
 Linear measures:  
 Up to 30mm class M, otherwise class C.  
 According to DIN ISO 2768-2  
 Form and position: class L

**LEDiL** Ledil Oy  
 Salorankatu 10  
 FIN 24240 SALO  
 Finland

THIRD ANGLE PROJECTION:

DRAWING TITLE  
**DATA SHEET ANGELA - VERO SOCKET 29**

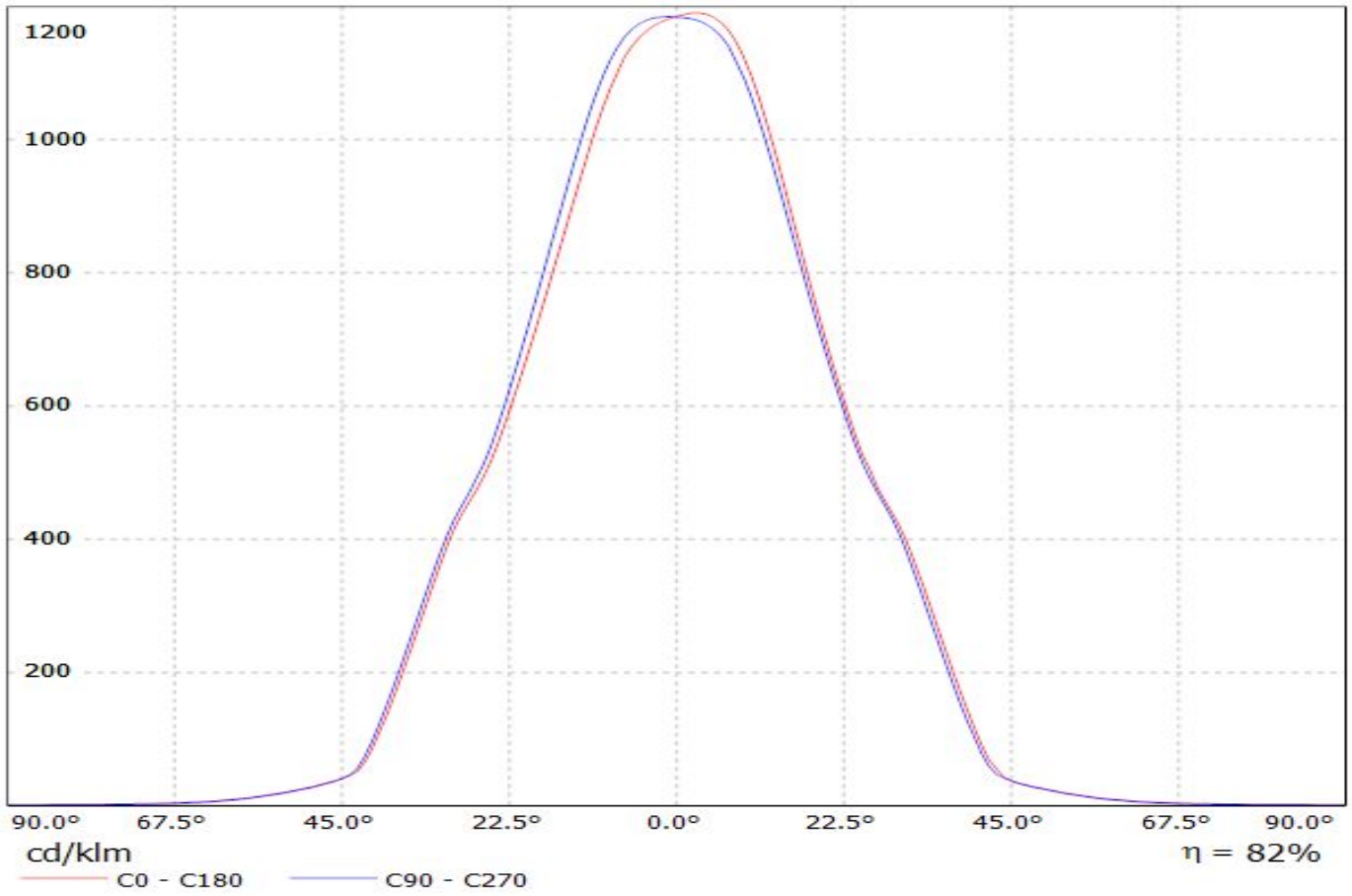
This drawing is the property  
 of LEDiL Oy. It may not be  
 reproduced, copied or  
 communicated without a written  
 agreement with LEDiL Oy."

SIZE	PART NUMBER		
A3	-		

SCALE	1:1	WEIGHT	-	SHEET	1/1
-------	-----	--------	---	-------	-----

H G B A

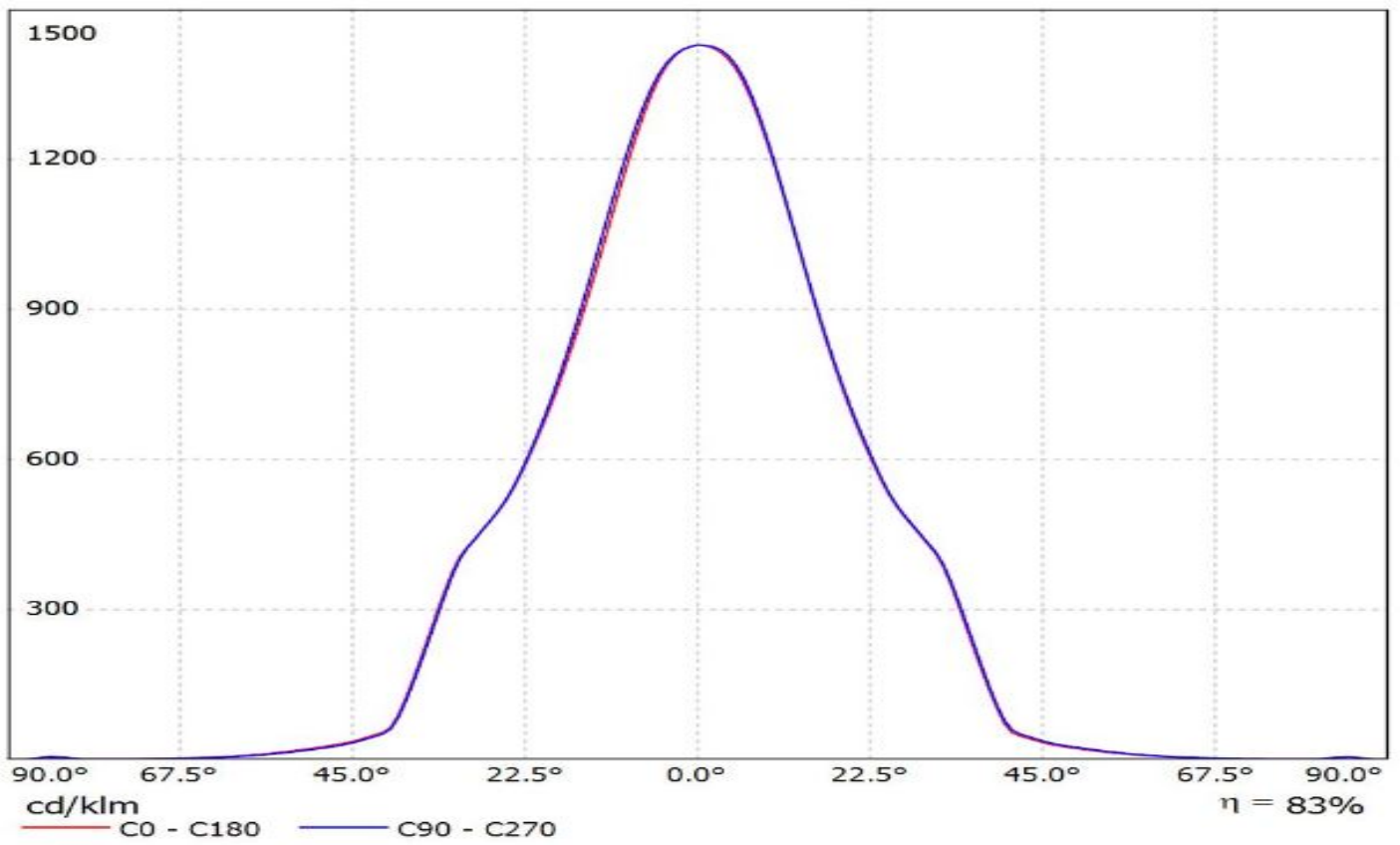
Luminaire: LEDiL Oy FCN13704\_ANGELA-W\_(VERO29) Eff.82.3%  
Lamps: 1 x VERO29\_(BXRC-50C10K0-L-04)\_1388.09lm@250mA\_CCT=1399K\_P=8.60286W\_I=249.8mA



# Ledil FCN13704\_ANGELA-W\_(CLU044)\_(431\_Typ\_L3) / LDC (Linear)

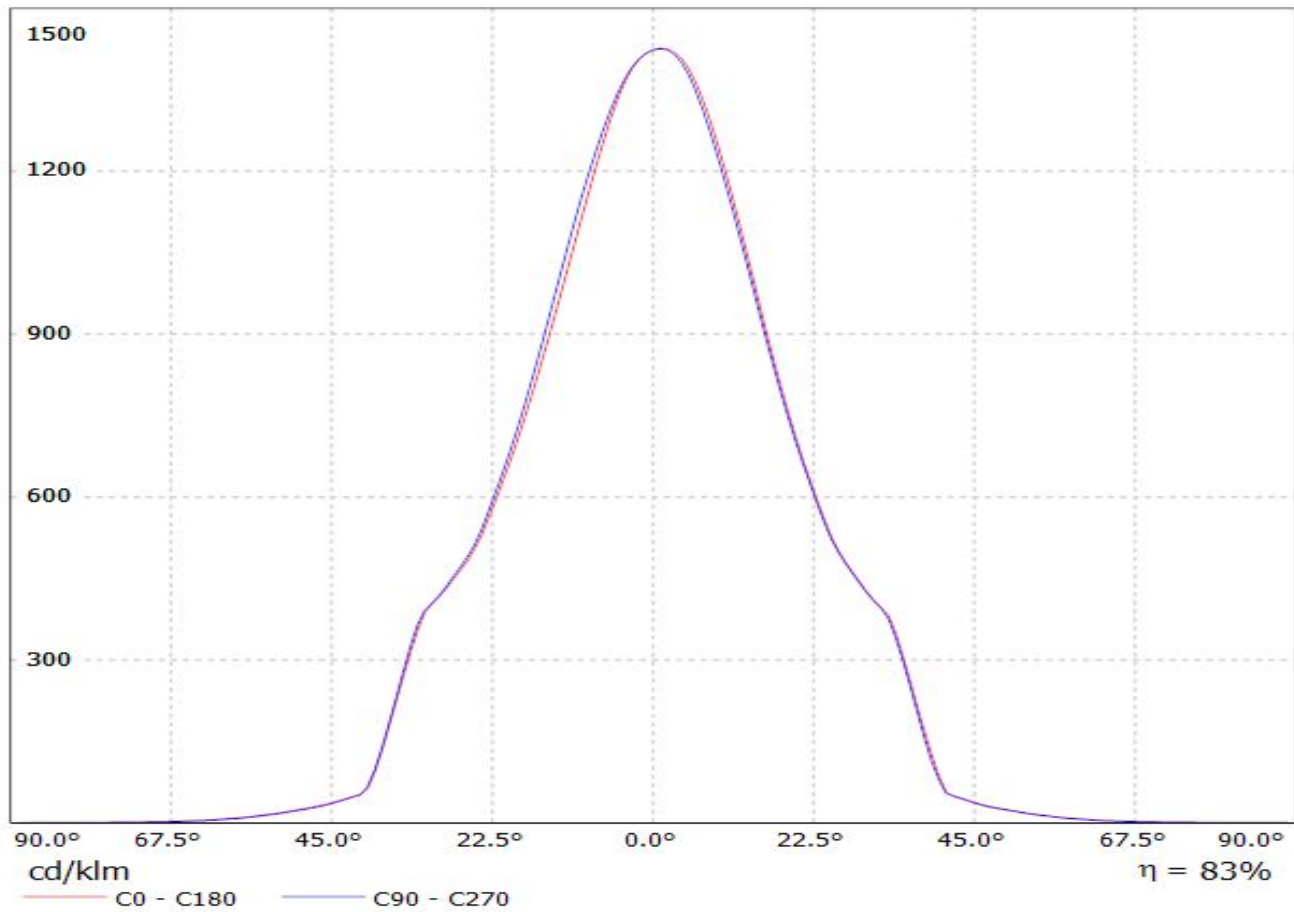
Luminaire: Ledil FCN13704\_ANGELA-W\_(CLU044)\_(431\_Typ\_L3)

Lamps: 1 x Citizen\_CLU044\_(CLU044-1212B8-303M1A2)\_1272.54lm@250mA\_P=8.16W\_I=0.25A



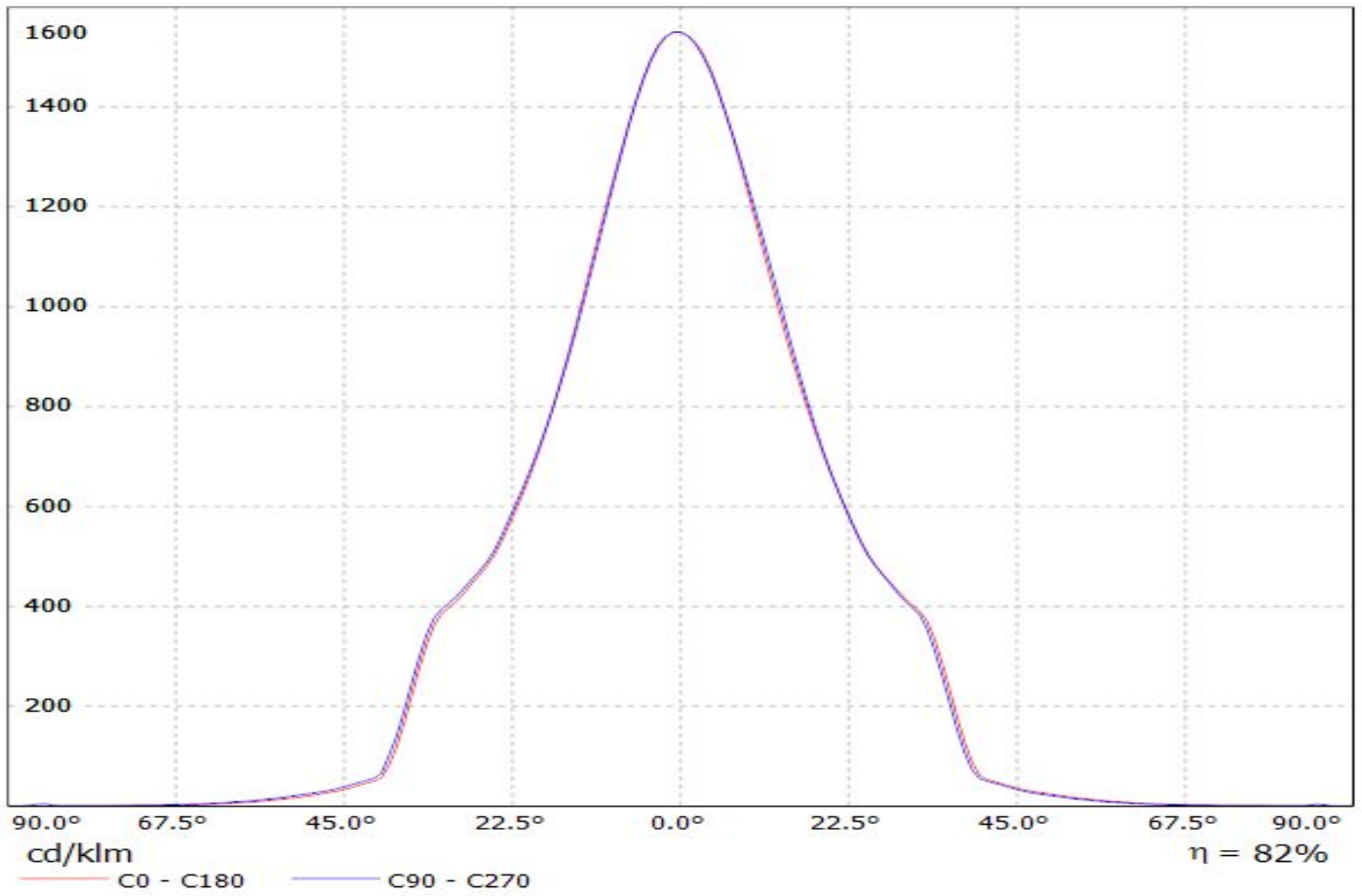
Luminaire: LEDiL Oy FCN13704\_ANGELA-W\_(CoB\_1211)\_(431\_Typ\_L3)

Lamps: 1 x Luxeon\_CoB\_1211\_(LHC1-5780-1211)\_(431\_Typ\_L3)\_(C13867)\_897.994lm@250mA\_P=8W\_I=0.25A



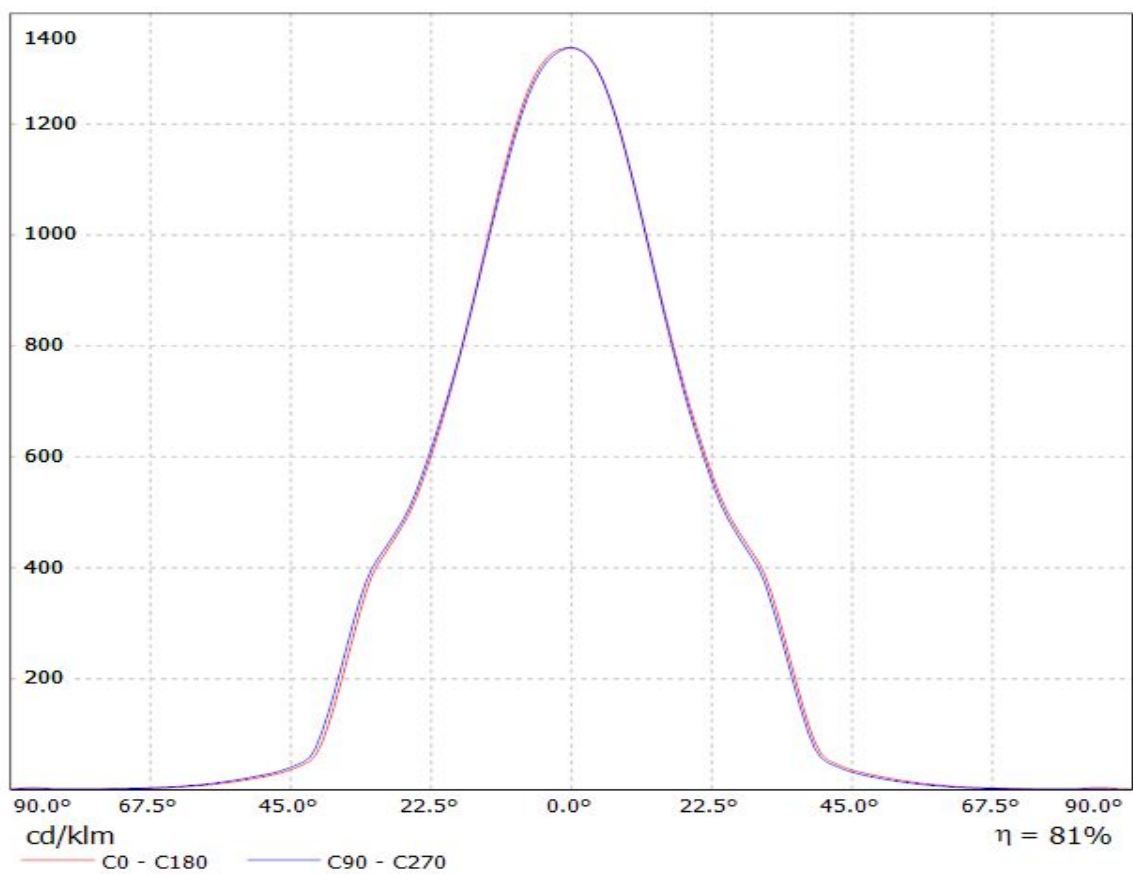
Luminaire: LEDiL Oy FCN13704\_ANGELA-W\_(Soleriq\_S19)\_462\_Typ\_L3

Lamps: 1 x Osram\_Soleriq\_S19\_(GW\_KAHJB1.EM)\_1497.37lm@250mA\_P=11.1223W\_I=0.2532A



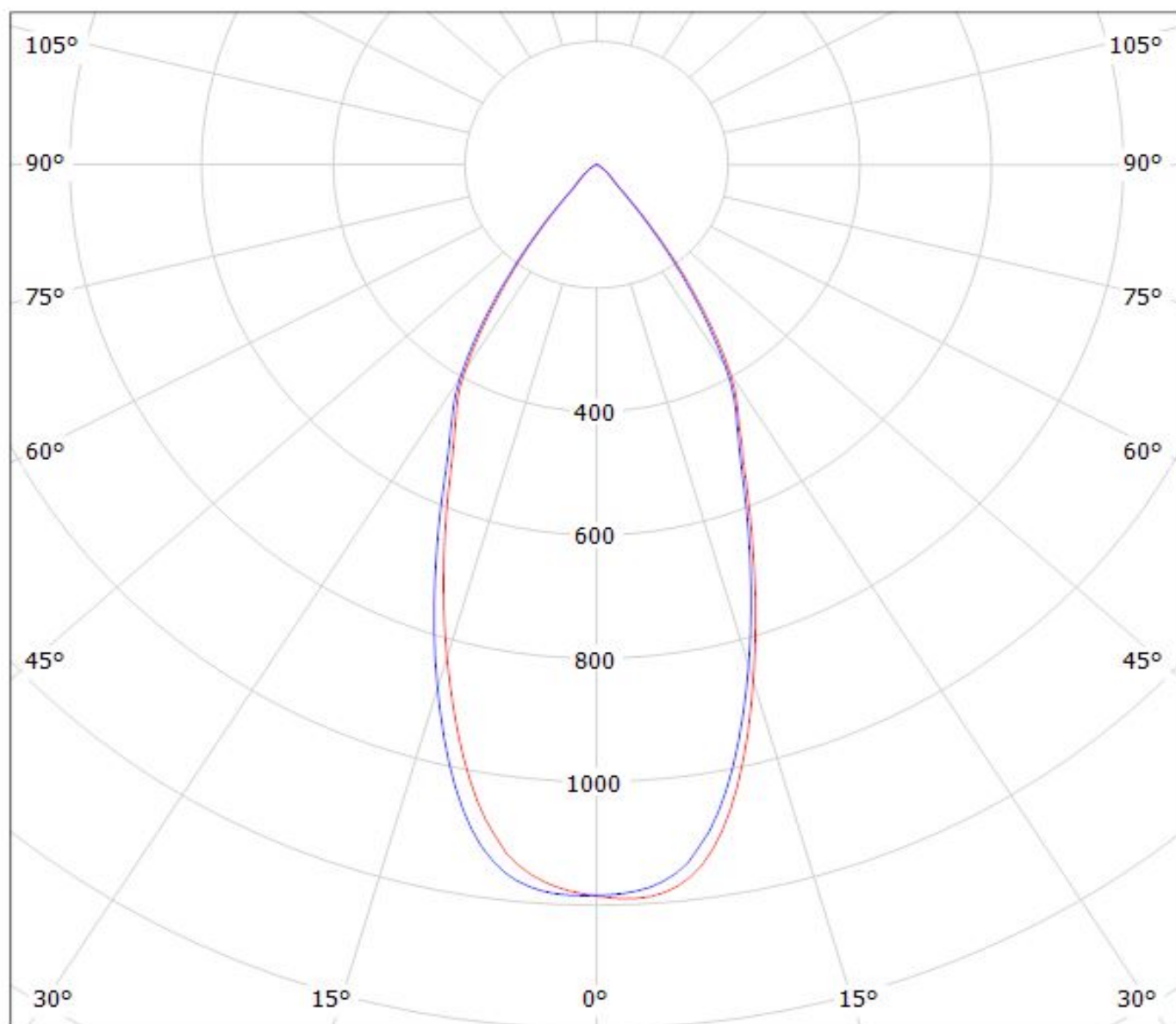
Luminaire: Ledil FCN13704\_ANGELA-W (MJT\_80W\_Les22)\_+431TypL3

Lamps: 1 x Seoul\_MJT\_80W\_Les22mm\_(SAWx22AAA)\_+\_VERO29\_+\_431TypL3\_2407.73lm@250mA\_P=13.2662W\_I=0.25A



Luminaire: LEDiL Oy FCN13704\_ANGELA-W\_(VERO29) Eff.82.3%

Lamps: 1 x VERO29\_(BXRC-50C10K0-L-04)\_1388.09lm@250mA\_CCT=1399K\_P=8.60286W\_I=249.8mA



cd/klm

— C0 - C180

— C90 - C270

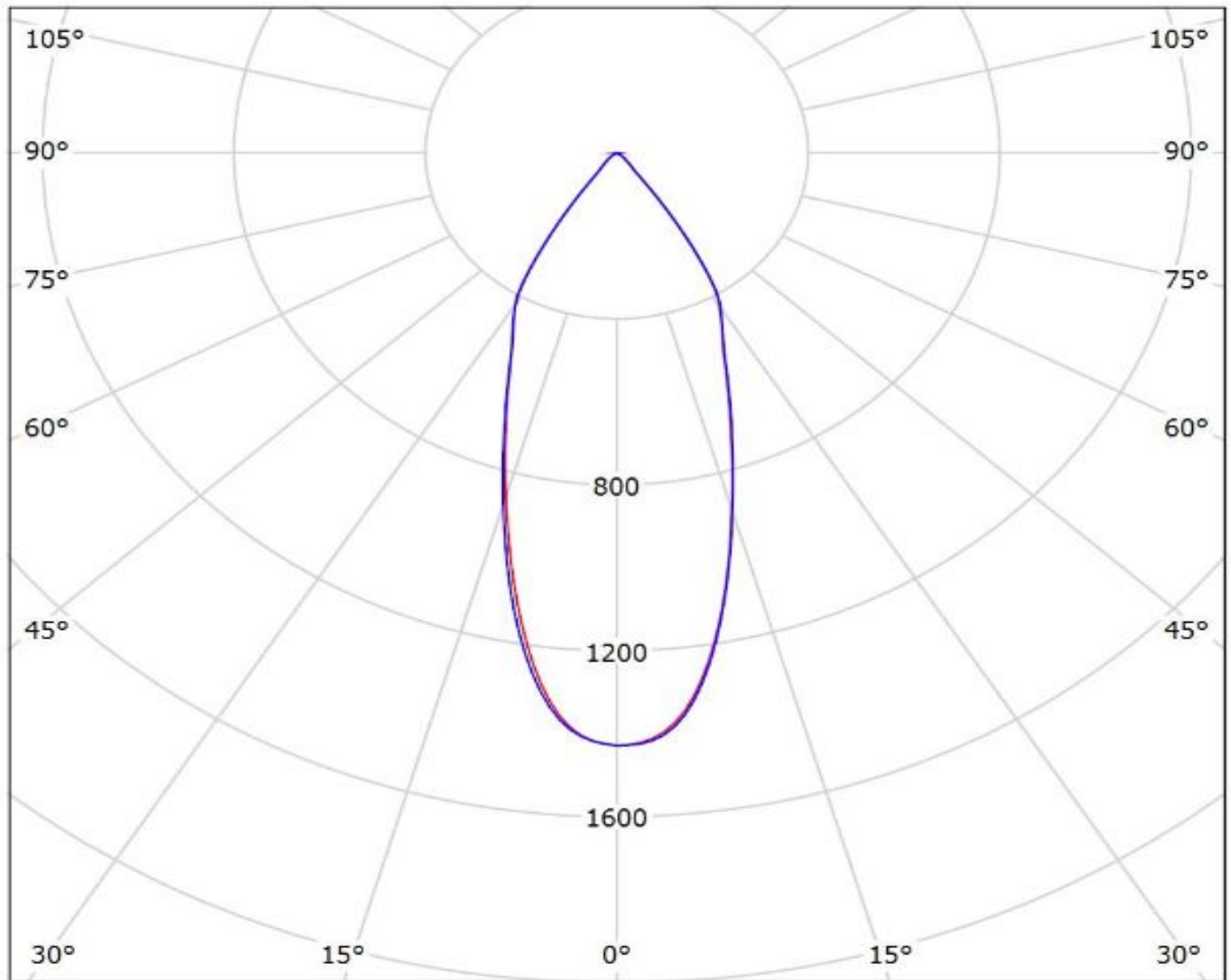
$\eta = 82\%$



# Ledil FCN13704\_ANGELA-W\_(CLU044)\_(431\_Typ\_L3) / LDC (Polar)

Luminaire: Ledil FCN13704\_ANGELA-W\_(CLU044)\_(431\_Typ\_L3)

Lamps: 1 x Citizen\_CLU044\_(CLU044-1212B8-303M1A2)\_1272.54lm@250mA\_P=8.16W\_I=0.25A



cd/klm

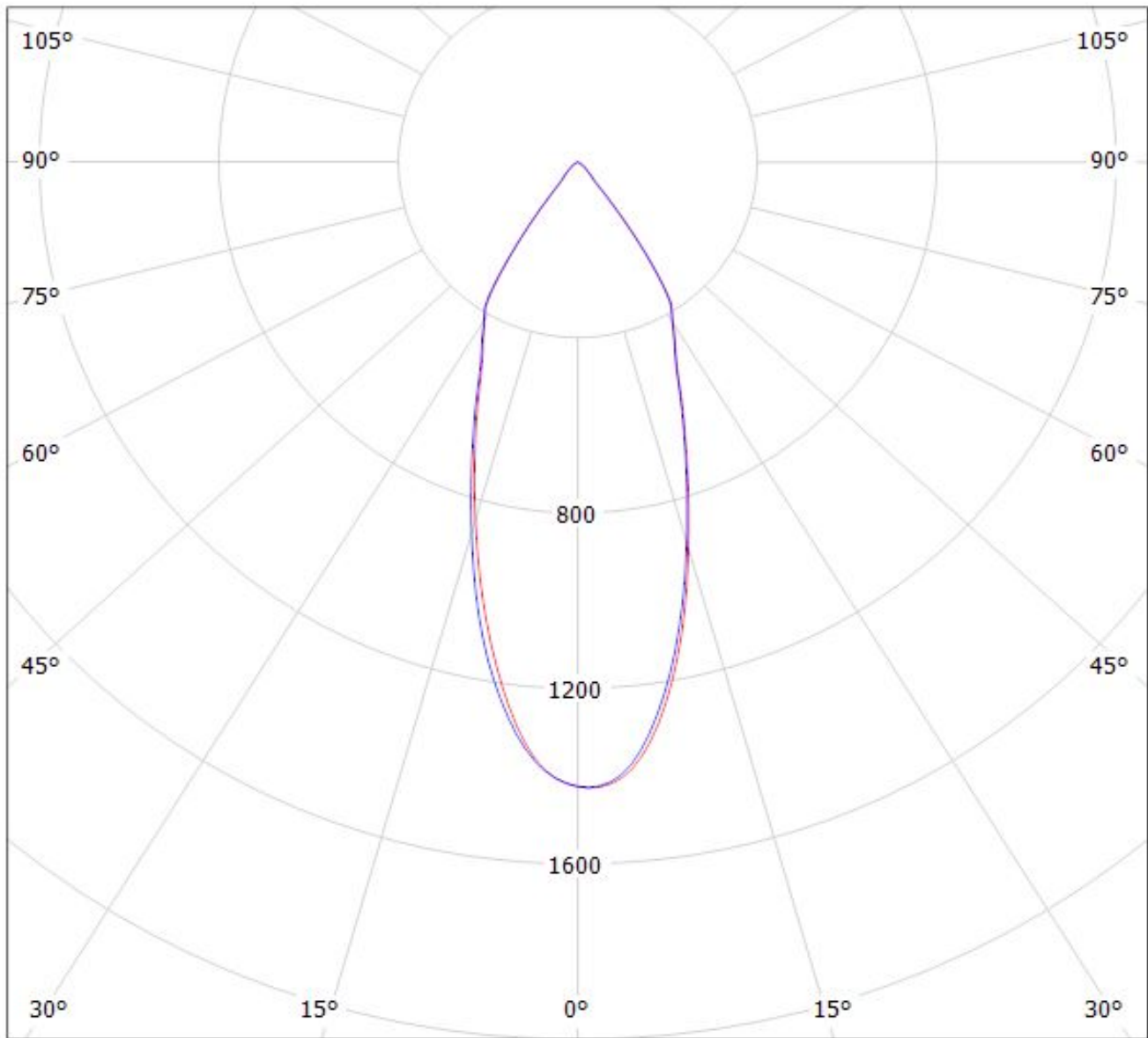
— C0 - C180

— C90 - C270

$\eta = 83\%$

Luminaire: LEDiL Oy FCN13704\_ANGELA-W\_(CoB\_1211)\_(431\_Typ\_L3)

Lamps: 1 x Luxeon\_CoB\_1211\_(LHC1-5780-1211)\_(431\_Typ\_L3)\_(C13867)\_897.994lm@250mA\_P=8W\_I=0.25A



cd/klm

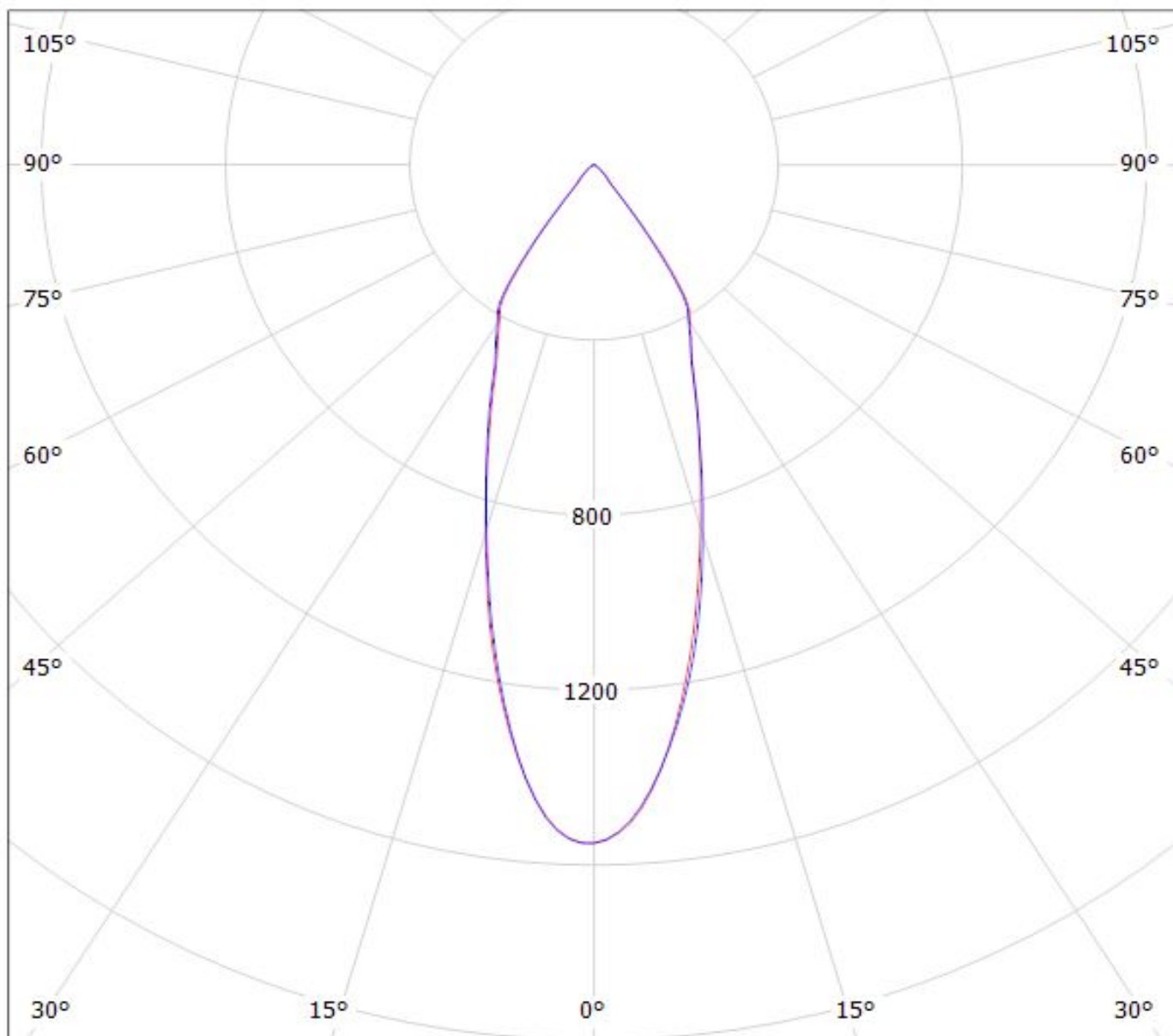
$\eta = 83\%$

— C0 - C180

— C90 - C270

Luminaire: LEDiL Oy FCN13704\_ANGELA-W\_(Soleriq\_S19)\_462\_Typ\_L3

Lamps: 1 x Osram\_Soleriq\_S19\_(GW\_KAHJB1.EM)\_1497.37lm@250mA\_P=11.1223W\_I=0.2532A



cd/klm

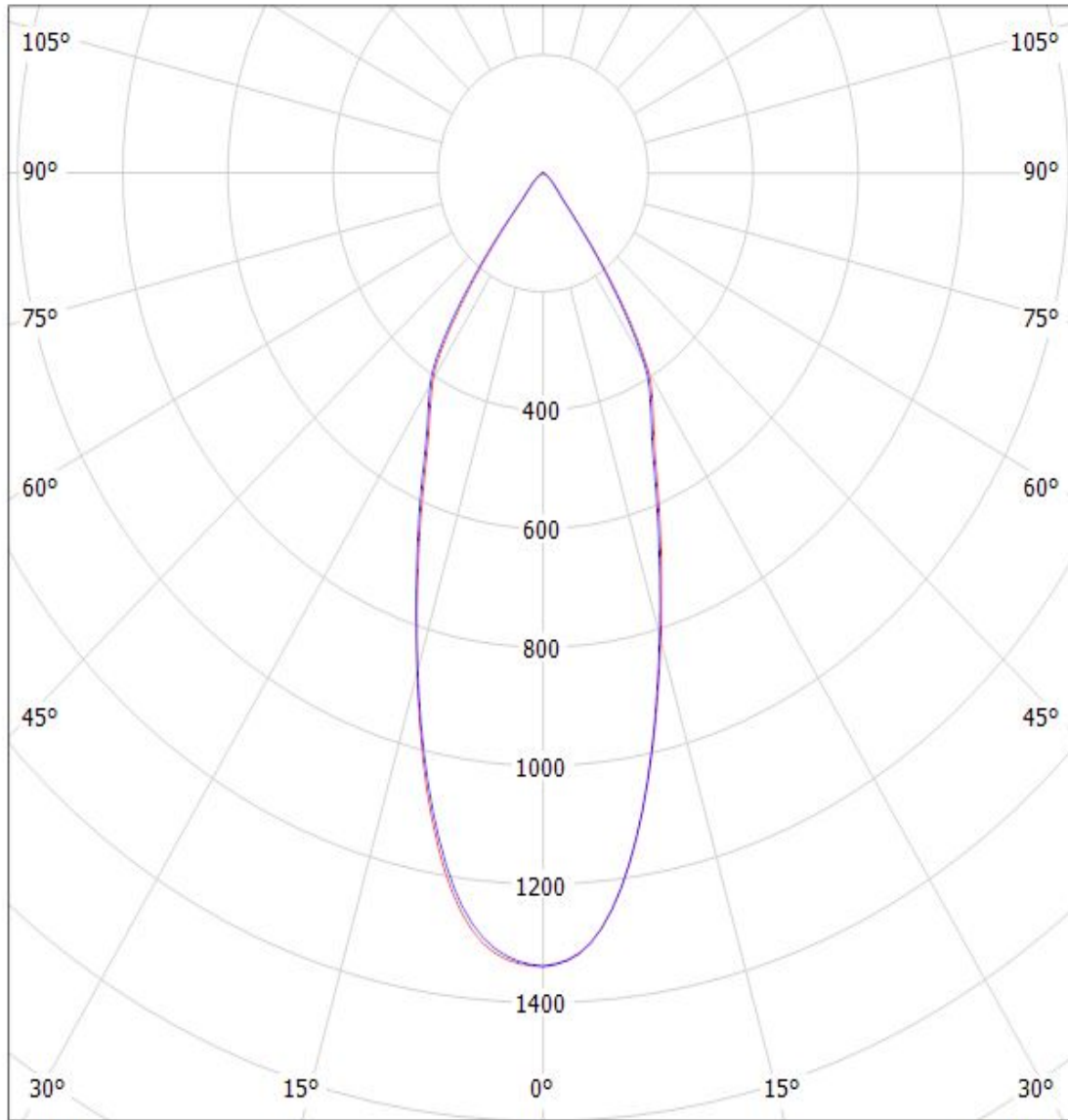
— C0 - C180

— C90 - C270

$\eta = 82\%$

Luminaire: Ledil FCN13704\_ANGELA-W\_(MJT\_80W\_Les22)\_+431TypL3

Lamps: 1 x Seoul\_MJT\_80W\_Les22mm\_(SAWx22AAA)+\_VERO29+\_431TypL3\_2407.73lm@250mA\_P=13.2662W\_I=0.25A



cd/klm

— C0 - C180 — C90 - C270

η = 81%

**NOTE: The typical divergence will be changed by different color, chip size and chip position tolerance. The typical total divergence is the full angle measured where the luminous intensity is half of the peak value.**

### **GENERAL INFORMATION**

- Product series especially designed & optimized for series of LEDs.
- Special care taken to make light distribution as uniform as possible.

Note! Due to use of high power COB's with this product, special attention to proper thermal design is highly recommended. LEDiL has no liability for direct, indirect or consecutive damages arising from the LEDiL products being used outside of the recommended temperature range.