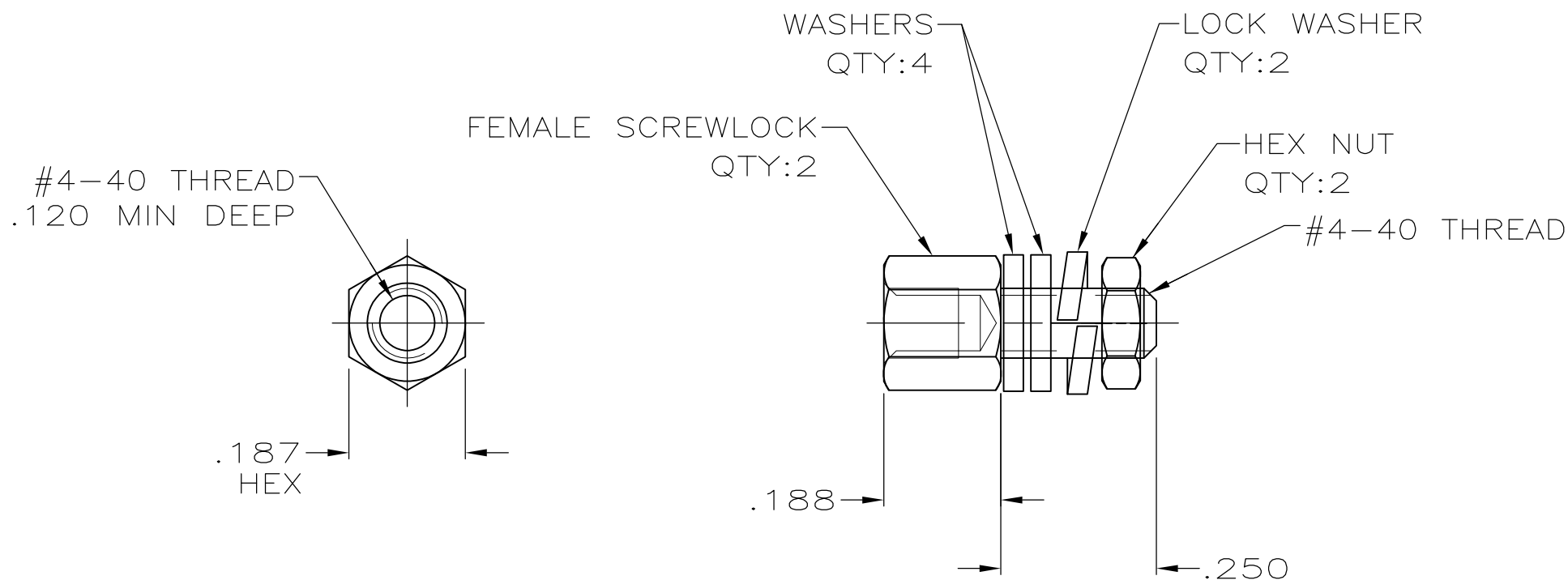


THIS DRAWING IS UNPUBLISHED. RELEASED FOR PUBLICATION  
 © COPYRIGHT - By - ALL RIGHTS RESERVED.

LOC	DIST	REVISIONS					
GP	00	P	LTR	DESCRIPTION	DATE	DWN	APVD
		P		REVISED PER ECO-11-004835	11MAR11	RK	HMR



- ① ZINC PLATED .000200-.000400 THICK, YELLOW CHROMATE COATING.
- ② ZINC PLATED .000200-.000400 THICK, CLEAR CHROMATE COATING.
- 3. PARTS PACKAGED UNASSEMBLED.
- ④ PARTS PACKAGED AS A UNIT KIT.
- ⑤ PARTS INDIVIDUALLY BULK PACKED & SHIPPED AS A UNIT PACKAGE.

⑤	②	5745563-4
④	②	5745563-3
④	①	5745563-1
PACKAGING	FINISH	PART NUMBER

THIS DRAWING IS A CONTROLLED DOCUMENT.		DWN	S.WAITMAN	30JUN05	<b>TE Connectivity</b>			
DIMENSIONS: INCHES		CHK	C.ROHDE	30JUN05				
		APVD	M.WALMSLEY	30JUN05				
TOLERANCES UNLESS OTHERWISE SPECIFIED:		NAME						
0 PLC ± - 1 PLC ± - 2 PLC ± - 3 PLC ± .005 4 PLC ± - ANGLES ± -		PRODUCT SPEC			KIT, SCREWLOCK, FEMALE, PLASTIC OR METAL SERIES, SHORT, AMPLIMITE HDE			
MATERIAL: STEEL		FINISH: SEE TABLE			APPLICATION SPEC			
		WEIGHT: -			SIZE	CAGE CODE	DRAWING NO	RESTRICTED TO
		CUSTOMER DRAWING			A3	00779	C-5745563	-
					SCALE	SHEET	REV	
					4:1	1 OF 1	P	