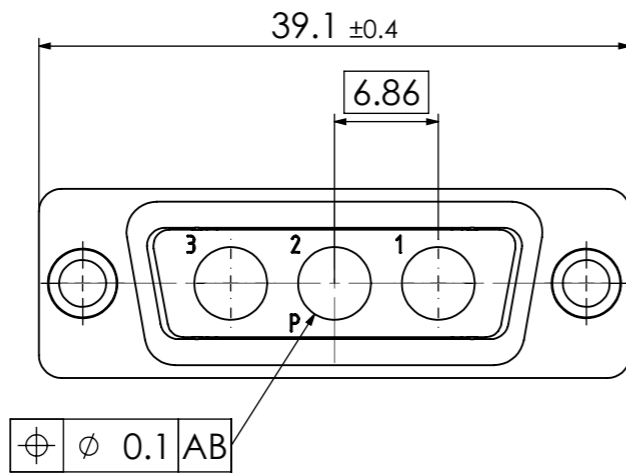
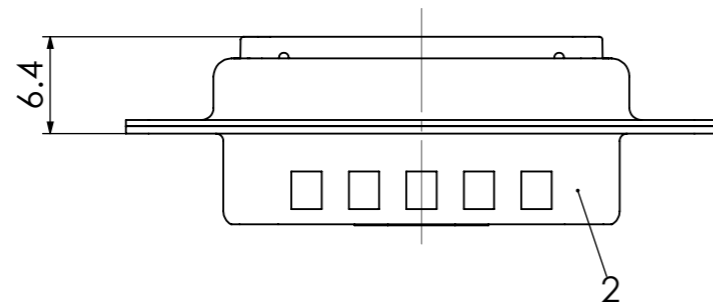
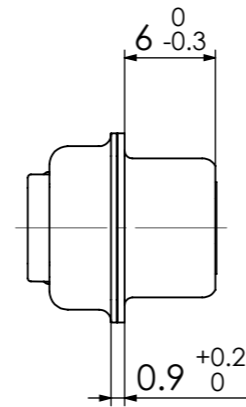
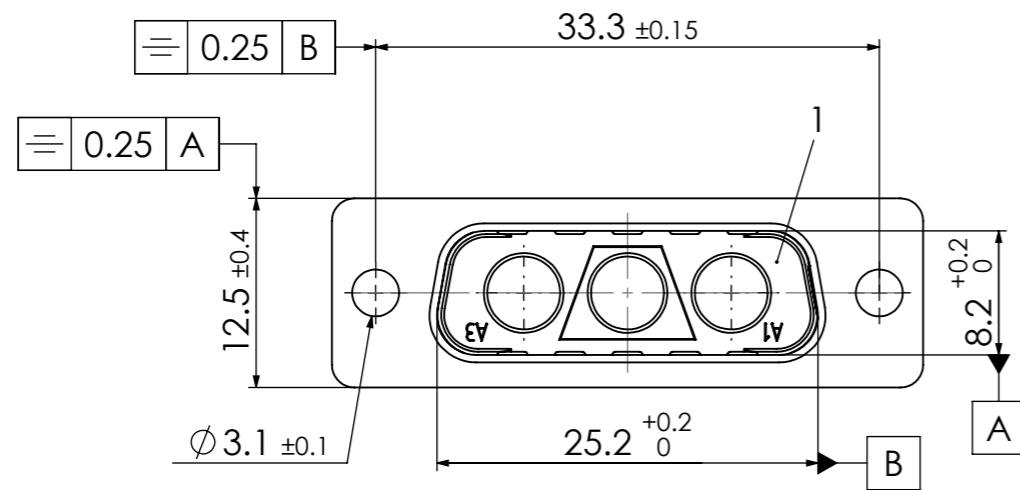


COMMENT:
 ALL RIGHTS ARE RESERVED BY US FOR THIS DRAWING. WITHOUT OUR PRIOR CONSENT,
 IT MAY NEITHER BE DUPLICATED NOR MADE AVAILABLE TO A THIRD PARTY.
 AND IT ALSO MAY NOT BE IMPROPERLY USED BY THE RECEIVER, OR A THIRD PARTY.



RoHS compliant

No.	St.	Part	Type Description/Material	Surface plating/Colour/Class
2	1	Shell	Steel	tin plated
1	1	Insulator	PBT (-55°C - +130°C)	black

REV.	DATE	CH.-NO.	ORIGINAL: DIN A3-DRAWING AS A FILE	REPLACEMENT FOR:	PAGES
2	12-04-2006	21827			1
1					



Measurement without tolerance occ. to ISO 2768-m

SCALE 2:1

TITLE

D-Sub Mixed-Layout Connector

DRAWN Denzinger 02-06-2004

CHECKED sschref 12-04-2006



DWG.NO.

F3W3PC-K120

REV.

2

PAGES