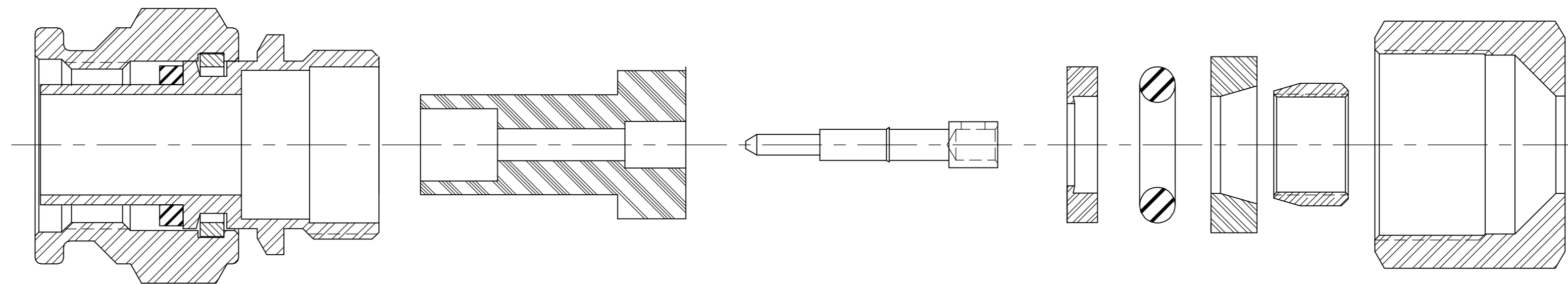
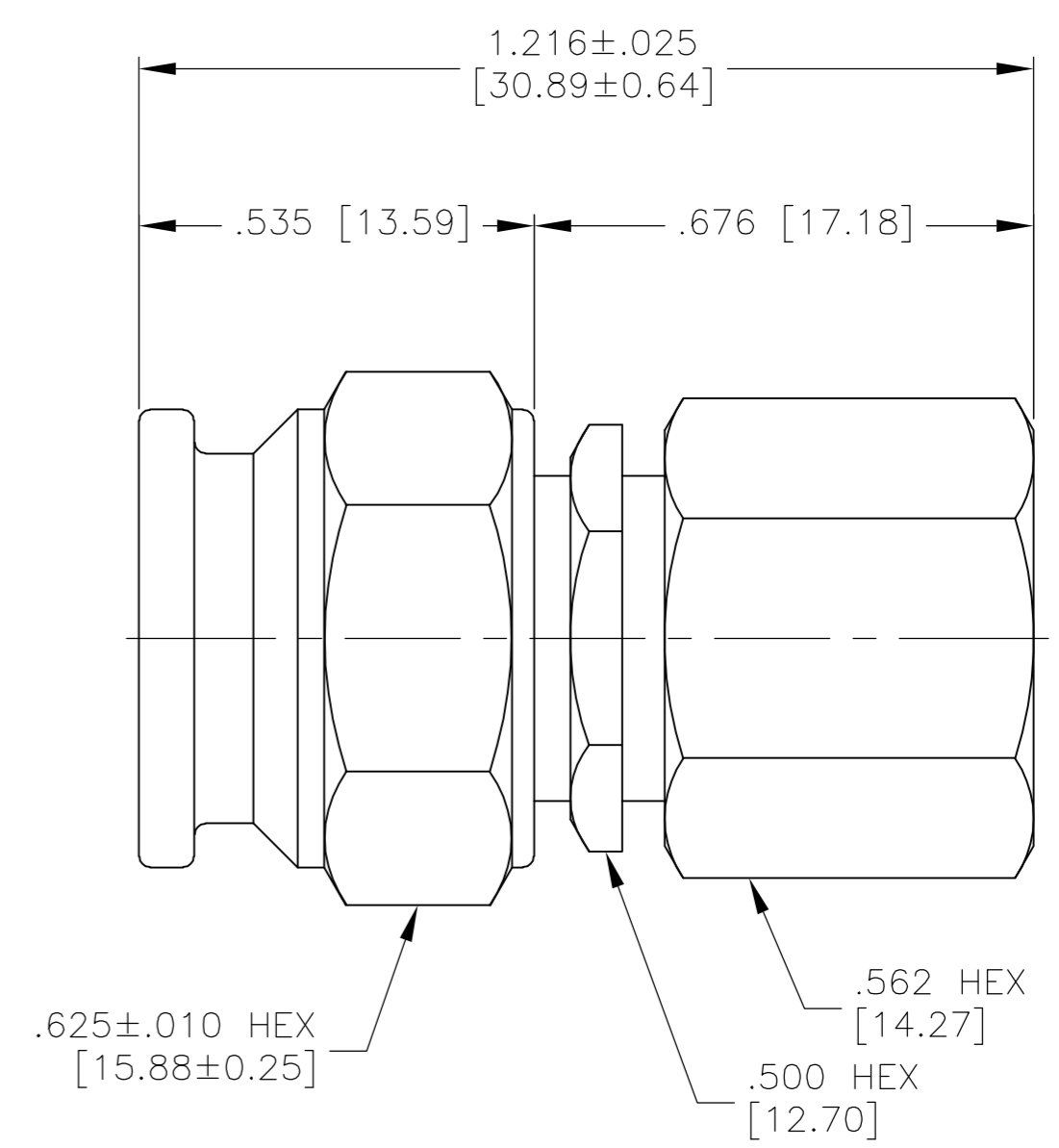
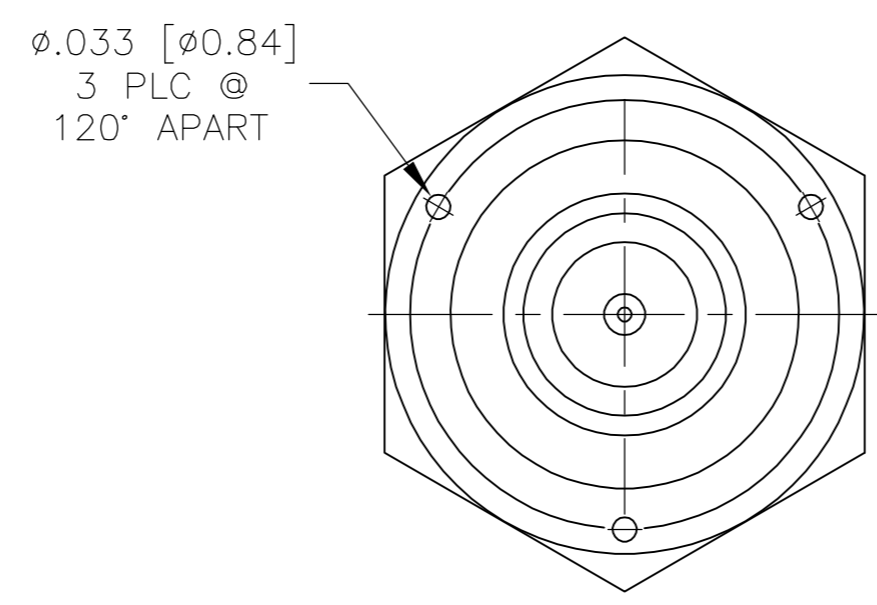


THIS DRAWING IS UNPUBLISHED. RELEASED FOR PUBLICATION
 © COPYRIGHT BY TYCO ELECTRONICS CORPORATION. ALL RIGHTS RESERVED.

LOC		DIST		REVISIONS			
P	LTR	DESCRIPTION	DATE	DWN	APVD		
DF	X0						
0		RELEASED	1-04	CT	RG		



AS SHIPPED TO CUSTOMER



COMPONENT	MATERIAL	FINISH
HOUSING COUPLING NUT CLAMP NUT	STAINLESS STEEL PER ASTM-A484 AND ASTM- A582, TYPE 303	PASSIVATE PER ASTM-A380
DIELECTRIC	TFE FLUOROCARBON PER ASTM-D-1457, MIL-P-19468, AND FED. SPEC L-P-403	N/A
CENTER CONTACT BUSHING	BERYLLIUM COPPER PER ASTM-B-196,ALLOY C17300	GOLD PLATE PER ASTM-B-488 OVER COPPER PLATE PER MIL-C-14550
RETAINING RING	BERYLLIUM COPPER PER ASTM-B-196	N/A
GASKET	SILICONE RUBBER PER ZZ-R-765	N/A
O-RING	VITON "A" PER MIL- R-45897	N/A

DESIGNED TO USE 0.250 SEMI-RIGID CABLE CABLE ENTRY DIAMETER MIN
CONTACT: .079 [2.01]
BUSHING: .253 [6.42]
BUSHING: .254 [6.45]
BUSHING: .249 [6.32]
CLAMP NUT: .254 [6.45]

THIS DRAWING IS A CONTROLLED DOCUMENT.	
DIMENSIONS: INCHES [mm]	TOLERANCES UNLESS OTHERWISE SPECIFIED:
0 PLC ± -	1 PLC ± -
2 PLC ± -	3 PLC ± .005 [0.13]
4 PLC ± -	ANGLES ± -
MATERIAL SEE TABLE	FINISH SEE TABLE

DWN C.C.THOMAS 1-22-04	CHK R.GROSS 1-23-04	APVD R.GROSS 1-23-04	NAME
APPLICATION SPEC 31-131			WEIGHT -
CUSTOMER DRAWING			SCALE 5:1
SIZE A2		CAGE CODE 00779	DRAWING NO 1663258
RESTRICTED TO		SHEET 1 OF 1	
REV 0		REF: 3101-5084-50	

1663258-1
PART NO.